

TILLREDA

HK

GB



Design and Quality
IKEA of Sweden

繁中
ENGLISH

3
15

1.安全事項	5
2.產品描述	10
3.控制面板	11
4.疑難排解	12
5.技術規格	12
6.安裝與連接	13
7.環境問題	13
8.宜家家居保證	14

繁中

使用微波爐前請仔細閱讀本說明書，並小心保存。
如果按照說明操作，此微波爐可正常使用多年。

小心保存本說明書

1. 安全事項



避免接觸過量微波能量的預防措施

- a) 請勿嘗試在打開爐門的情況下操作微波爐，這可能會導致接觸有害微波能量。切勿破壞或篡改安全聯鎖裝置。
- b) 請勿在微波爐正面和爐門之間放置任何物品，或讓污垢或清潔劑殘留物堆積在密封面上。
- c) **警告：**如果爐門或爐門密封件損壞，必須由合資格人員修理後方可操作微波爐。

補充

如果電器未保持良好的清潔狀態，其表面可能會劣化，影響電器的使用壽命，並導致危險情況。

重要安全須知

為降低使用電器時發生火災、觸電、人員受傷或接觸過量微波能量的風險，請遵循以下基本預防措施：

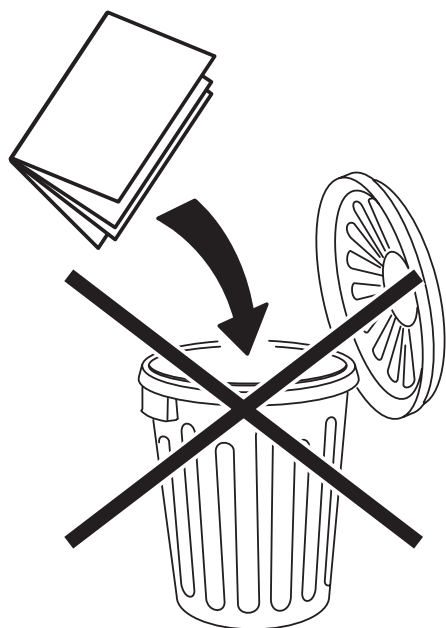
1. 閱讀並遵循指定的：《**避免接觸過量微波能量的預防措施**》。
2. 8 歲以上的兒童，以及身體、感官或心智弱能人士，或缺乏經驗或知識的人員在適當的監督，或者得到有關安全使用本電器的說明，並且已經了解所涉及的風險的情況下，方可使用本電器。切勿讓兒童玩弄本電器。用戶清潔和維護不得由無人看管的兒童進行。
3. 請將本電器及其電線放置在 8 歲以下兒童接觸不到的地方。
4. 如果隨附的電源線損壞，必須由製造商、服務代理商或此類合資格人員進行更換，以免產生危險。

5. **警告：**除合資格人員外，任何人進行任何涉及拆除微波能量保護蓋的保養或修理操作均屬危險。
6. 用微波爐加熱飲料可能會造成沸騰液體其後突然噴濺。
7. 用塑膠或紙質容器加熱食物時，請留意微波爐，以免著火。
8. 只可使用適用於微波爐的器皿。
9. 如果冒煙，請關閉電器或拔下電源插頭，保持爐門關閉，以熄滅火焰。
10. 微波加熱飲料可能會導致延遲噴發式沸騰，因此處理容器時必須小心。
11. 食用奶瓶和瓶裝嬰兒食品的內容物前應攪拌或搖動，並檢查溫度，以免燙傷。
12. 不應在微波爐中加熱帶殼或煮熟的雞蛋，否則可能會發生爆炸，甚至在微波加熱結束後仍可能爆炸。
13. 應定期清潔微波爐，清除所有食物殘渣。
14. 微波爐髒污可能會導致表面劣化，從而可能對電器的使用壽命產生不利影響，並可能導致危險情況。
15. 為避免過熱，切勿將電器安裝在裝飾門後。
16. 微波爐必須在櫃門打開的情況下進行操作。
17. 本電器僅供家居及以下類似環境使用：
 - 商店、辦公室和其他工作環境中的員工廚房區域；
 - 由酒店、汽車旅館和其他住宅類型環境的客戶使用；
 - 農舍；
 - 民宿類型環境。
18. 本微波爐旨在用於加熱食物和飲料。乾燥食物或衣物，以及加熱暖墊、拖鞋、海綿、濕布和類似物品可能導致受傷、著火或火災風險。
19. 使用微波烹飪時切勿使用金屬容器盛放食物和飲料。
20. 不得使用蒸汽清潔器清潔本電器。

繁中

21. 本電器僅供獨立式或在機櫃中使用。
22. 電器的後表面應靠牆放置。
23. 本電器僅適用於家居及室內使用。切勿在戶外使用！
24. 為防止觸電，請勿將產品的主要部件、電線或插頭浸入水或其他液體中。
25. **警告：**液體及其他食物不得在密封容器中加熱，因為它們容易爆炸。

請仔細閱讀並保存以備日後參考。



繁中

為降低人身傷害風險

接地安裝

危險

觸電危險

觸摸部分內部組件可能導致嚴重的人身傷害或死亡。請勿拆卸本電器。

警告

觸電危險

接地使用不當可能導致觸電。在正確安裝電器並接地前，請勿插入電源插座。

本電器必須接地。在發生電氣短路時，接地可為電流提供逃逸線路，從而降低觸電風險。本電器配備帶有接地線和接地插頭的電源線。插頭必須插入正確安裝和接地的插座。

如果未完全理解接地說明或對電器是否正確接地存有任何疑問，請諮詢合資格的電工或維修人員。如果需要使用延長線，請僅使用三線延長線。

1. 本電器提供短電源線，以減少被較長的電源線纏住或絆倒的風險。
2. 如果使用長電源線組件或延長線：
 - a) 電源線組件或延長線的標記電氣額定值至少應與電器的電氣額定值相同。
 - b) 延長線必須為接地型三線電線。
 - c) 長電線應整理好，以免懸掛在檯面或桌面上，否則兒童可能會拉扯或意外絆倒。

清潔

請務必切斷電器電源。

1. 使用後，用略濕的布清潔微波爐內部。
2. 按常規方法在肥皂水中清洗附件。
3. 當門框、密封件和鄰近元件變髒時，必須用濕布徹底清潔。
4. 請勿使用粗糙的研磨性清潔劑或鋒利的金屬刮刀清潔爐門玻璃，這會刮傷表面，並可能導致玻璃破碎。

5. 清潔小貼士 ★ 為了更輕鬆地清潔所烹飪食物可能會接觸的爐壁：將半個檸檬放入碗中，加入 300 ml（半品脫）水，並用 100% 微波功率加熱 10 分鐘。用柔軟的乾布將微波爐擦拭乾淨。

器皿

注意

人身傷害危險

除合資格人員外，任何人進行任何涉及拆除微波能量保護蓋的保養或修理操作均屬危險。

請參閱《可在微波爐使用或避免在微波爐使用的物質》說明。

部分非金屬器皿於微波使用可能不安全。如不確定，您可以按照以下步驟測試有疑問的器皿。

器皿測試：

1. 在可用於微波的容器中裝入 1 杯冷水 (250 ml)，和有疑問的器皿放在一起。
2. 用最大功率烹飪 1 分鐘。
3. 小心觸碰器皿。如果空器皿是熱的，請勿將其用於微波爐烹飪。
4. 烹飪時間請勿超過 1 分鐘。

繁中

可在微波爐使用的物料

器皿	備註
燒烤盤	請遵循製造商的說明。烤烤盤的底部必須至少在轉盤上方 3/16 英寸 (5 mm) 處。不正確使用可能會導致轉盤破裂。
餐具	僅限可用於微波的餐具。請遵循製造商的說明。請勿使用破裂或有缺口的餐具。
玻璃瓶	務必取下蓋子。僅用於加熱食物至溫熱。大多數玻璃瓶均不耐熱，且可能會破裂。
玻璃器皿	僅限耐熱微波 玻璃器皿。確保沒有金屬裝飾。請勿使用破裂或有缺口的餐具。
微波烹調袋	請遵循製造商的說明。請勿用金屬紮帶索緊。預縫隙讓蒸汽可以逸出。
紙碟和紙杯	僅用於短時間烹飪/加熱。烹飪時請勿讓微波爐處於無人看管狀態。
廚房紙	用於覆蓋食物，以加熱或吸收油脂。在監督下使用，僅用於短時間烹飪。
烤盤紙	用作防止飛濺的覆蓋物或蒸煮的包裹物。
塑膠	僅限可用於微波的餐具。請遵循製造商的說明。應貼有「可用於微波」標籤。隨著食物變熱，有些塑膠容器會軟化。「蒸煮袋」和密封塑膠袋應按照包裝說明切開、穿洞或開孔。
保鮮膜	僅限可用於微波的餐具。用於烹飪時蓋住食物以保留水分。請勿讓保鮮膜接觸食物。
溫度計	僅限可用於微波爐的溫度計（肉類和糖果溫度計）。
食品蠟紙	用於覆蓋食物，以防止飛濺並保留水分。

避免在微波爐使用的物料

器皿	備註
鋁盤	可能會引起電弧放電。將食物轉移到可用於微波的碗碟中。
帶金屬手挽的食品紙盒	可能會引起電弧放電。將食物轉移到可用於微波的碗碟中。
金屬或金屬裝飾器皿	金屬可以遮蓋食物接收微波能量。金屬裝飾可能會引起電弧放電。
金屬紮帶	可能會引起電弧放電並可能導致微波爐著火。
紙袋	可能導致微波爐著火。
塑膠泡沫	接觸高溫時，塑膠泡沫可能會溶化或污染內部液體。
木製品	木製品在微波爐中使用時會變乾，可能會斷開或產生裂縫。

2. 產品描述

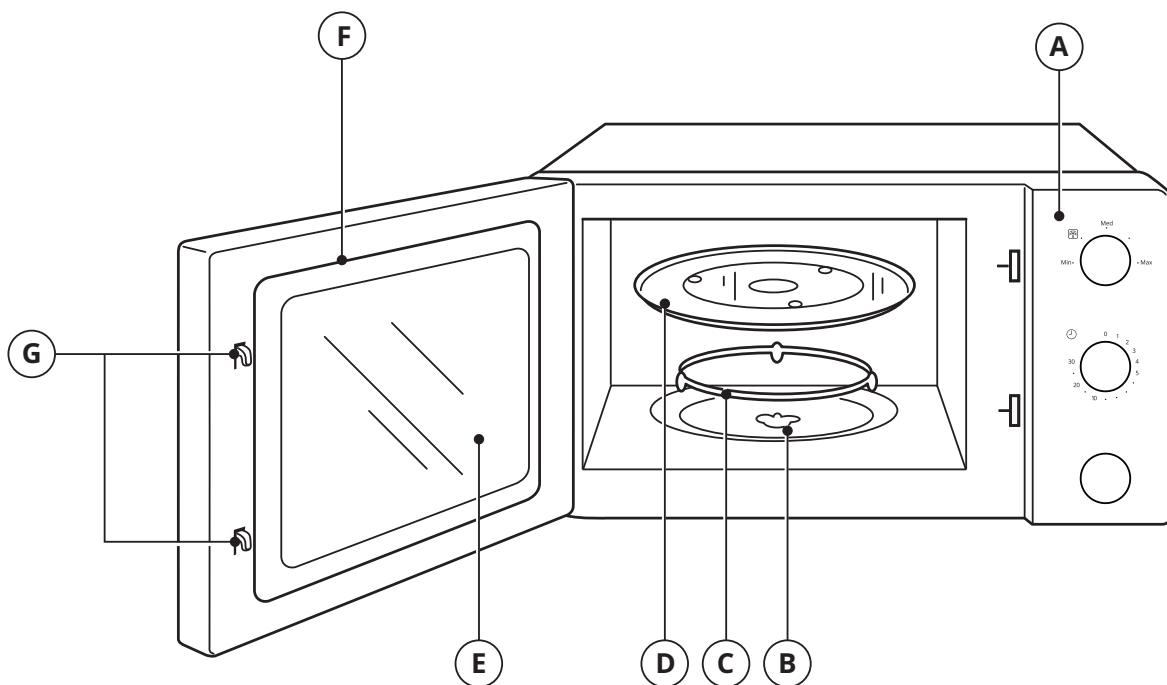
設定微波爐

微波爐元件和附件名稱

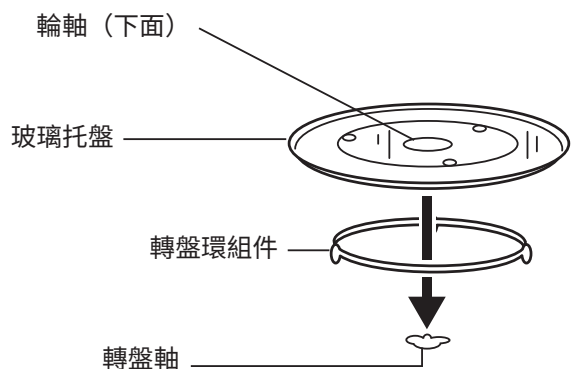
分別將微波爐和所有材料從紙箱和微波爐內部取出。微波爐配備以下附件：

玻璃托盤	1x
轉盤環組件	1x
說明書	1x

- A. 控制面板
- B. 轉盤軸
- C. 轉盤環組件
- D. 玻璃托盤
- E. 觀察窗
- F. 爐門組件
- G. 安全聯鎖系統



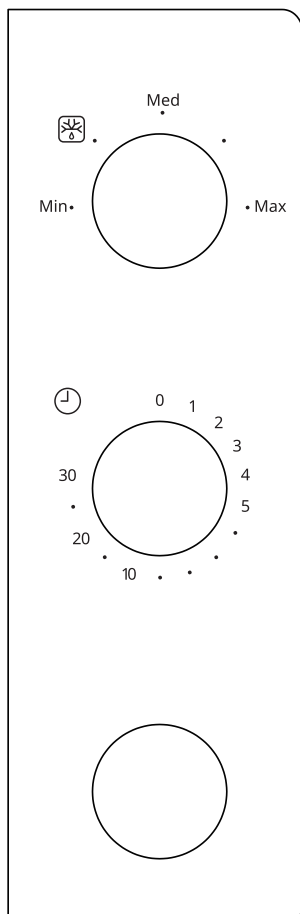
轉盤安裝



- a) 切勿將玻璃托盤倒置。玻璃托盤須能輕鬆轉動。
- b) 烹飪期間必須使用玻璃托盤和轉盤環組件。
- c) 烹飪時所有食物和食物容器應始終放在玻璃托盤上。
- d) 如果玻璃托盤或轉盤環組件破裂或破損，請聯絡最近的授權服務中心。

3. 控制面板

控制面板和功能操作說明



1. 將功率旋鈕旋轉到所需級別來設定烹飪功率。
2. 根據食物烹飪指南，將定時器旋鈕旋轉到所需時間來設定烹飪時間。
3. 設定好功率級別和時間後，微波爐將自動開始烹飪。
4. 烹飪時間結束後，電器會發出「叮」一聲並停止。
5. 如果不使用電器，請務必將時間設定為「0」。

功能/功率	瓦特	應用
Min	115 W	軟化雪糕
	230 W	燉湯、軟化牛油或解凍
Med	390 W	燉煮、魚
.	540 W	飯、魚、雞、碎肉
Max	700 W	翻熱、牛奶、煲水、蔬菜、飲料

注意：

從微波爐中取出食物時，請將定時器調至 0（零），確保微波爐電源已關閉。
 如果不這樣做，並且在沒有食物的情況下操作微波爐，會導致過熱並損壞磁控管。

4. 疑難排解

正常	
微波爐干擾電視接收	微波爐運行時可能會干擾收音機和電視接收。這與小型電器的干擾類似，如攪拌機、吸塵機、電風扇。 這是正常現象。
爐燈昏暗	在低功率烹飪時，爐燈可能會變暗。這是正常現象。
蒸汽積聚在門上，熱空氣從通風口逸出。	在烹飪期間，食物中可能會產生蒸汽。大多數會從通風口逸出，但有些可能會積聚在爐門等陰涼的地方。這是正常現象。
在沒有放進食物的情況下，微波爐意外啟動。	禁止在沒有任何食物在內的情況下操作本電器。 這非常危險。

故障	可能的原因	解決方法
微波爐無法啟動。	(1) 電源線未插緊。	拔下電源線。然後在 10 秒後再次插入。
	(2) 保險絲熔斷或斷路器工作。	更換保險絲或重置斷路器（由本公司專業人員維修）
	(3) 插座故障。	用其他電器測試插座。
微波爐不加熱	(4) 爐門未關好。	將爐門關好。

5. 技術規格

型號	TILLREDA 004.933.37
額定電壓：	220-230V~ 50Hz
額定輸入功率（微波）：	1050 W
額定輸出功率（微波）：	700 W
微波爐容量：	20 l
轉盤尺寸：	255 mm
外部尺寸：	439.5x340.0x258.2mm
淨重：	10.39 kg

6. 安裝與連接

檯面安裝

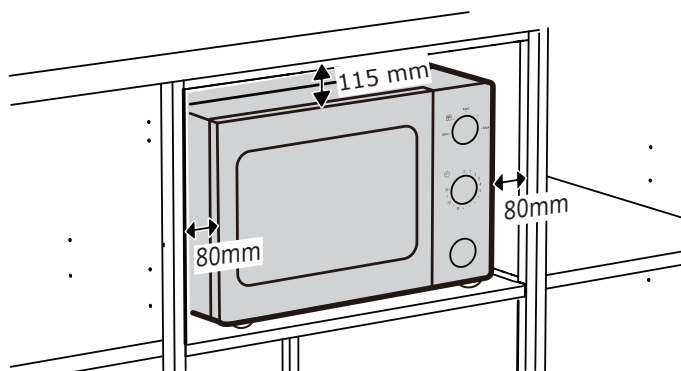
取出所有包裝材料和附件。檢查微波爐是否有任何損壞，如凹痕或爐門破損。如果微波爐損壞，請勿安裝。

箱體：取下微波爐箱體表面的所有保護膜。

請勿取下固定在微波爐內部以保護磁控管的淺棕色雲母片。

安裝

1. 選擇一個水平表面，為進氣口和/或排氣口提供足夠的開放空間。



- (1) 電器的後表面應靠牆放置。在微波爐上方至少留出 11.5 cm 的空隙，微波爐和任何相鄰爐壁之間至少需要留出 8 cm 的空隙。
- (2) 請勿拆下微波爐底部的支腳。
- (3) 堵塞進氣口和/或排氣口可能會損壞微波爐。

- (4) 將微波爐盡可能放置在遠離收音機和電視的地方。微波爐運行可能會干擾收音機或電視接收。

2. 將微波爐插入標準家用插座中。確保電壓和頻率與額定標籤上的電壓和頻率相同。

警告：請勿將微波爐安裝在爐灶或其他發熱裝置附近。如果安裝在熱源附近或上方，可能會損壞微波爐，並且保修將失效。



運行過程中可觸及表面可能很熱。

7. 環境問題



根據廢電子電機設備 (WEEE) 指令，WEEE 應單獨回收和處理。今後任何時間如需處理本產品，請勿將本產品與家庭廢棄物一同棄置。請將本產品送至可接收的 WEEE 回收點。



8. 宜家家居保證

宜家家居的產品品質保證有效期有多久？

自你從宜家家居購買產品之日起，本保證有效期為兩 (2) 年。你需要出示收據正本作為購買證明，方可享用產品品質保證。接受產品品質保證提供的服務，並不會延長電器的保證有效期。

誰會提供此項服務？

請聯絡附近的宜家家居分店。

產品品質保證涵蓋什麼？

產品品質保證涵蓋電器因製造缺陷，或在宜家家居購買時已有的材料缺陷而引起的故障。產品品質保證僅適用於家居使用的產品。例外情況請參看「產品品質保證不涵蓋什麼？」如果電器可以修理，並毋需特別費用，保證有效期內修補故障所需的費用，如修理、部件、人工及運送的費用均為免費。更換掉的部件將成為宜家家居財產。

宜家家居會怎樣修理故障產品？

宜家家居會檢查產品，並自行決定該故障是否屬於產品品質保證範圍之內。如果屬於產品品質保證範圍，宜家家居隨後會自行決定去修理有缺陷的產品，還是以相同或類似的產品代替。

產品品質保證不涵蓋什麼？

- 正常磨損。
- 故意或過失造成的損壞，因不遵守操作說明、不正確安裝或連接到錯誤電壓而導致的損壞，因化學或電化學反應、生鏽、腐蝕或水害造成的損壞，包括但不限於因食水供應中含過量石灰而引起的損壞，以及因不正常環境條件下造成的損壞。
- 包括電池及燈泡的消耗品零件。
- 不影響電器正常使用，非功能性及用作裝飾的部件，包括任何劃痕及可能的色差。
- 因異物或物質，以及清潔或疏通過濾器、排水系統或洗滌劑抽屜而意外造成的損壞。
- 以下部件的損壞：玻璃陶瓷、配件、碗碟及餐具籃、進水管及排水管、密封墊、燈飾及燈罩、顯示器、把手、外殼及外殼的部件。如果以上損壞可以證明是由生產缺陷而造成，則為例外。
- 並非由指定服務提供商及/或授權服務合約夥伴維修或使用了非原廠部件。
- 因沒有按照規格或錯誤安裝而需要的維修。
- 於非家居環境使用本電器，亦即將其用作專業用途。
- 運送損壞。如果客戶自行將產品運送到家中或其他地址，並在運送期間發生的任何損壞，宜家家居概不負責。然而，如果是由宜家家居將產品運送到客戶的地址，產品在運送期間發生的任何損壞，將由宜家家居承擔。

- 為宜家家居電器進行初始安裝的費用。然而，如果宜家家居指定的服務供應商或其授權服務夥伴根據本產品品質保證條款維修或更換電器，指定的服務供應商或其授權服務夥伴會在必要時重新安裝已維修的電器或安裝替代的電器。

國家法律如何適用

宜家家居產品品質保證賦予你特定的法律權利，當中涵蓋或超過當地法律要求。然而，上述條件並不限於當地法律內任何形式的消費者權益。

有效地區

如果電器在歐盟國家購買，並帶到另一個歐盟國家使用，服務將以新國家的正常產品品質保證條件的框架下提供。在產品品質保證框架下提供服務的義務，只適用於符合並根據以下要求安裝的電器：

- 提出產品品質保證要求的所在國家之技術規格；
- 隨附說明書及使用手冊安全須知。

宜家家居電器的售後服務

歡迎就以下事宜與宜家家居聯絡：

- 利用產品品質保證要求維修服務；
- 查詢宜家家居電器的功能。

為確保能為你提供最好的服務，聯絡我們之前請仔細閱讀隨附說明書及/或使用手冊。

如何享用產品品質保證



宜家家居的售後客戶服務中心會透過電話，在你要求時協助你解決基本的電器故障問題。欲知本地分店的電話號碼及辦公時間，可參閱宜家家居目錄或瀏覽 www.ikea.com。

為了能更快解決你的問題，請提供位於電器標籤上的宜家家居產品編號（8位數字）。

請保留銷售收據！

銷售收據是你的購買證明，你需要在申請產品品質保證時出示收據。銷售收據亦載有你購買的宜家家居電器的名稱，以及其產品編號（8位數字）。

需要額外協助？

任何電器售後服務以外的疑問，請致電附近的宜家家居分店客戶服務熱線。與我們聯絡之前，建議請先仔細閱讀該電器的說明文件。

ENGLISH

1. SAFETY INFORMATION	17
2. PRODUCT DESCRIPTION	22
3. CONTROL PANEL	23
4. TROUBLE SHOOTING	24
5. SPECIFICATIONS	24
6. INSTALLATION AND CONNECTION	25
7. ENVIRONMENTAL CONCERNS	25
8. IKEA GUARANTEE	26

ENGLISH

Read these instructions carefully before using your microwave oven, and keep it carefully.

If you follow the instructions, your oven will provide you with many years of good service.

**SAVE THESE
INSTRUCTIONS
CAREFULLY**

1. SAFETY INFORMATION



PRECAUTIONS TO AVOID POSSIBLE EXPOSURE TO EXCESSIVE MICROWAVE ENERGY

- a) Do not attempt to operate this oven with the door open since this can result in harmful exposure to microwave energy. It is important not to break or tamper with the safety interlocks.
- b) Do not place any object between the oven front face and the door or allow soil or cleaner residue to accumulate on sealing surfaces.
- c) **WARNING:** If the door or door seals are damaged, the oven must not be operated until it has been repaired by a competent person.

ADDENDUM

If the apparatus is not maintained in a good state of cleanliness, its surface could be degraded and affect the lifespan of the apparatus and lead to a dangerous situation.

IMPORTANT SAFETY INSTRUCTIONS WARNING

To reduce the risk of fire, electric shock, injury to persons or exposure to excessive microwave oven energy when using your appliance, follow basic precautions, including the following:

1. Read and follow the specific: **"PRECAUTIONS TO AVOID POSSIBLE EXPOSURE TO EXCESSIVE MICROWAVE ENERGY"**.
2. This device can be used by children of at least 8 years old and by people with reduced physical, sensory or mental capacities or lacking experience or knowledge, if they are properly supervised or if they were given instructions relating to the safe use of the device and if the risks involved have been understood. Children must not play with the device. Cleaning and maintenance by the user must not be carried out by unsupervised children.
3. Keep the appliance and its cord out of reach of children less than 8 years.

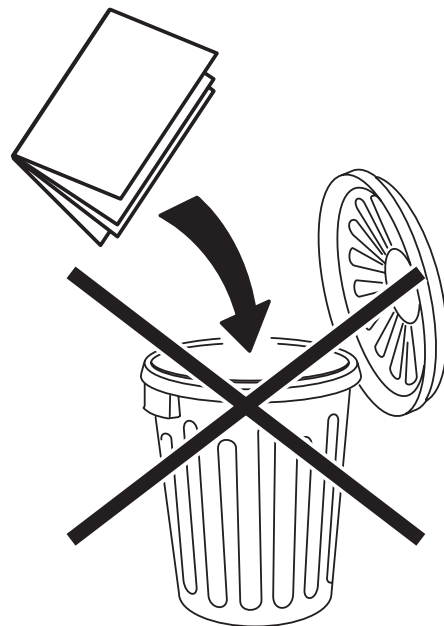
ENGLISH

4. If the supply cord is damaged, it must be replaced by the manufacturer, its service agent or similarly qualified persons in order to avoid a hazard.
5. **WARNING:** It is hazardous for anyone other than a competent person to carry out any service or repair operation that involves the removal of a cover which gives protection against exposure to microwave energy.
6. Heating beverages by microwaves can cause a sudden, delayed burst of boiling liquid.
7. When heating food in plastic or paper containers, keep an eye on the oven due to the possibility of ignition.
8. Only use utensils that are suitable for use in microwave ovens.
9. If smoke is emitted, switch off or unplug the appliance and keep the door closed in order to stifle any flames.
10. Microwave heating of beverages can result in delayed eruptive boiling, therefore care must be taken when handling the container.
11. The contents of feeding bottles and baby food jars shall be stirred or shaken and the temperature checked before consumption, in order to avoid burns.
12. Eggs in their shell and whole hard-boiled eggs should not be heated in microwave ovens since they may explode, even after microwave heating has ended.
13. The oven should be cleaned regularly and any food deposits removed.
14. Failure to maintain the oven in a clean condition could lead to deterioration of the surface that could adversely affect the life of the appliance and possibly result in a hazardous situation.
15. The appliance must not be installed behind a decorative door in order to avoid overheating.
16. The microwave oven must be operated with any cabinet door open.
17. This appliance is intended to be used in household and similar applications such as:

ENGLISH

- staff kitchen areas in shops, offices and other working environments;
 - by clients in hotels, motels and other residential type environments;
 - farm houses;
 - bed and breakfast type environments.
18. The microwave oven is intended for heating food and beverages. Drying of food or clothing and heating of warming pads, slippers, sponges, damp cloth and similar may lead to risk of injury, ignition or fire.
19. Metallic containers for food and beverages are not allowed during microwave cooking.
20. The appliance shall not be cleaned with a steam cleaner.
21. The appliance is intended to be used freestanding or in a cabinet.
22. The rear surface of appliances shall be placed against a wall.
23. This appliance is for household and indoor use only. Don't use it outdoors!
24. To protect against electric shock, do not immerse main parts of the product, cord or plug in water or other liquids.
25. **WARNING:** Liquids and other foods must not be heated in sealed containers since they are liable to explode.

READ CAREFULLY AND KEEP FOR FUTURE REFERENCE.



ENGLISH

TO REDUCE THE RISK OF INJURY TO PERSONS GROUNDING INSTALLATION

DANGER

Electric Shock Hazard

Touching some of the internal components can cause serious personal injury or death. Do not disassemble this appliance.

WARNING

Electric Shock Hazard

Improper use of the grounding can result in electric shock. Do not plug into an outlet until appliance is properly installed and grounded.

This appliance must be grounded. In the event of an electrical short circuit, grounding reduces the risk of electric shock by providing an escape wire for the electric current. This appliance is equipped with a cord having a grounding wire with a grounding plug. The plug must be plugged into an outlet that is properly installed and grounded.

Consult a qualified electrician or serviceman if the grounding instructions are not completely understood or if doubt exists as to whether the appliance is properly grounded. If it is necessary to use an extension cord, use only a 3-wire extension cord.

1. A short power-supply cord is provided to reduce the risks resulting from becoming entangled in or tripping over a longer cord.
2. If a long cord set or extension cord is used:
 - a) The marked electrical rating of the cord set or extension cord should be at least as great as the electrical rating of the appliance.
 - b) The extension cord must be a grounding-type 3-wire cord.
 - c) The long cord should be arranged so that it will not drape over the counter top or tabletop where it can be pulled on by children or tripped over unintentionally.

CLEANING

Be sure to unplug the appliance from the power supply.

1. Clean the cavity of the oven after using with a slightly damp cloth.
2. Clean the accessories in the usual way in soapy water.
3. The door frame and seal and

neighbouring parts must be cleaned carefully with a damp cloth when they are dirty.

4. Do not use harsh abrasive cleaners or sharp metal scrapers to clean the oven door glass since they can scratch the surface, which may result in shattering of the glass.
5. *Cleaning Tip* ★ For easier cleaning of the cavity walls that the food cooked can touch: Place half a lemon in a bowl, add 300ml (1/2 pint) water and heat on 100% microwave power for 10 minutes. Wipe the oven clean using a soft, dry cloth.

UTENSILS

CAUTION

Personal Injury Hazard

It is hazardous for anyone other than a competent person to carry out any service or repair operation that involves the removal of a cover which gives protection against exposure to microwave energy.

See the instructions on **“MATERIALS YOU CAN USE IN MICROWAVE OVEN OR TO BE AVOIDED IN MICROWAVE OVEN.”**

There may be certain non-metallic utensils that are not safe to use for microwaving. If in doubt, you can test the utensil in question following the procedure below.

Utensil Test:

1. Fill a microwave-safe container with 1 cup of cold water (250ml) along with the utensil in question.
2. Cook on maximum power for 1 minute.
3. Carefully feel the utensil. If the empty utensil is warm, do not use it for microwave cooking.
4. Do not exceed 1 minute cooking time.

ENGLISH

MATERIALS YOU CAN USE IN MICROWAVE OVEN

Utensils	Remarks
Browning dish	Follow manufacturer's instructions. The bottom of browning dish must be at least 3/16 inch (5mm) above the turntable. Incorrect usage may cause the turntable to break.
Dinnerware	Microwave-safe only. Follow manufacturer's instructions. Do not use cracked or chipped dishes.
Glass jars	Always remove lid. Use only to heat food until just warm. Most glass jars are not heat resistant and may break.
Glassware	Heat-resistant oven glassware only. Make sure there is no metallic trim. Do not use cracked or chipped dishes.
Oven cooking bags	Follow manufacturer's instructions. Do not close with metal tie. Make slits to allow steam to escape.
Paper plates and cups	Use for short-term cooking/warming only. Do not leave oven unattended while cooking.
Paper towels	Use to cover food for reheating and absorbing fat. Use with supervision for a short-term cooking only.
Parchment paper	Use as a cover to prevent splattering or a wrap for steaming.
Plastic	Microwave-safe only. Follow the manufacturer's instructions. Should be labeled "Microwave Safe". Some plastic containers soften, as the food inside gets hot. "Boiling bags" and tightly closed plastic bags should be slit, pierced or vented as directed by package.
Plastic wrap	Microwave-safe only. Use to cover food during cooking to retain moisture. Do not allow plastic wrap to touch food.
Thermometers	Microwave-safe only (meat and candy thermometers).
Wax paper	Use as a cover to prevent splattering and retain moisture.

MATERIALS TO BE AVOIDED IN MICROWAVE OVEN

Utensils	Remarks
Aluminum tray	May cause arcing. Transfer food into microwave-safe dish.
Food carton with metal handle	May cause arcing. Transfer food into microwave-safe dish.
Metal or metal-trimmed utensils	Metal shields the food from microwave energy. Metal trim may cause arcing.
Metal twist ties	May cause arcing and could cause a fire in the oven.
Paper bags	May cause a fire in the oven.
Plastic foam	Plastic foam may melt or contaminate the liquid inside when exposed to high temperature.
Wood	Wood will dry out when used in the microwave oven and may split or crack.

2. PRODUCT DESCRIPTION

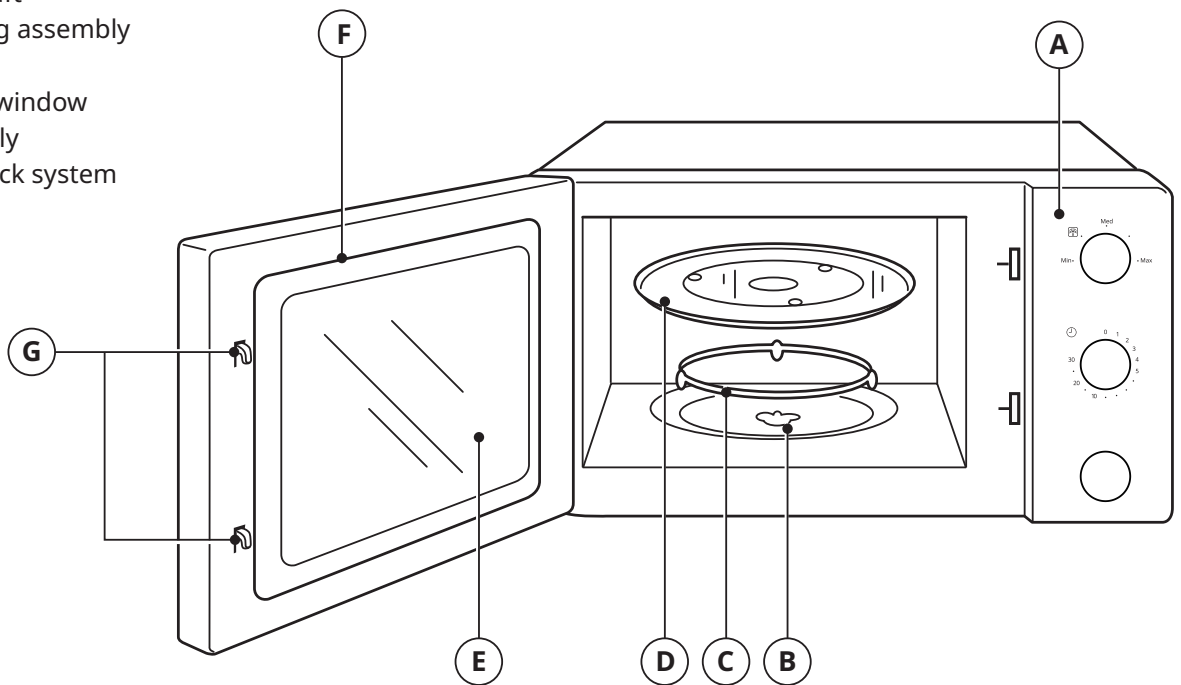
SETTING UP YOUR OVEN

Name of Oven Parts and Accessories

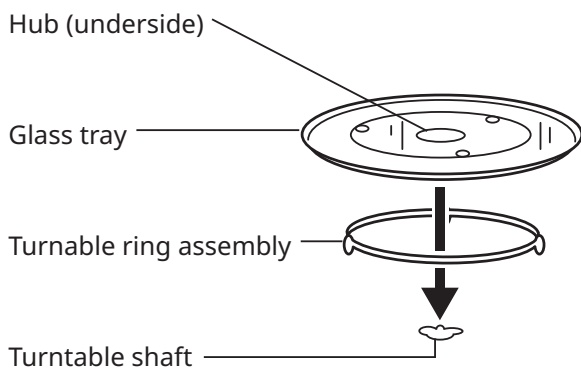
Remove the oven and all materials from the carton and oven cavity. Your oven comes with the following accessories:

Glass tray	1x
Turntable ring assembly	1x
Instruction Manual	1x

- A. Control panel
- B. Turntable shaft
- C. Turntable ring assembly
- D. Glass tray
- E. Observation window
- F. Door assembly
- G. Safety interlock system



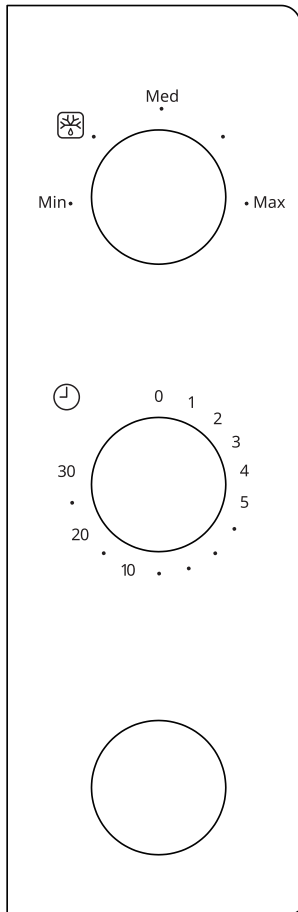
Turntable Installation




- a) Never place the glass tray upside down. The glass tray should never be restricted.
- b) Both glass tray and turntable ring assembly must always be used during cooking.
- c) All food and containers of food are always placed on the glass tray for cooking.
- d) If glass tray or turntable ring assembly cracks or breaks, contact your nearest authorized service center.

3. CONTROL PANEL

Control Panel and Features Operation Instructions



1. To set cooking power by turning the power knob to desired level.
2. To set the time of cooking by turning the timer knob to desired time per your food cooking guide.
3. The microwave oven will automatically start cooking after power level and time are set.
4. After the cooking time is up, the unit will “Dong” to stop.
5. If the unit is not in use, always set time to “0”.

Function/Power	Watts	Application
Min	115 W	Soften ice cream
	230 W	Soup stew, soften butter or defrost
Med	390 W	Stew, fish
.	540 W	Rice, fish, chicken, ground meat
Max	700 W	Reheat, milk, boil water, vegetables, beverage

Notice:

When removing food from the oven, please ensure that the oven power is switched off by turning the timer switch to 0 (zero).

Failure to do so, and operating the microwave oven without food in it, can result in overheating and damage to the magnetron.

ENGLISH

4. TROUBLE SHOOTING

Normal	
Microwave oven interfering TV reception	Radio and TV reception may be interfered when microwave oven operating. It is similar to the interference of small electrical appliances, like mixer, vacuum cleaner, electric fan. It is normal.
Dim oven light	In low power microwave cooking, oven light may become dim. It is normal.
Steam accumulating on door, hot air out of vents.	In cooking, steam may come out of food. Most will get out from vents, but some may accumulate on cool place like oven door. It is normal.
Oven started accidentally with no food in.	<i>It is forbidden to run the unit without any food inside. It is very dangerous.</i>

Trouble	Possible cause	Remedy
Oven can not be started.	(1) Power cord not plugged tightly.	Unplug. Then unplug again after 10 seconds.
	(2) Fuse blowing or circuit breaker works.	Replace fuse or reset circuit breaker (repaired by professional personnel of our company)
	(3) Trouble with outlet.	Test outlet with other electrical appliances.
Oven does not heat	(4) Door not closed well.	Close door well.

5. SPECIFICATIONS

Model:	TILLREDA 004.933.37
Rated Voltage:	220-230V~ 50Hz
Rated Input Power(Microwave):	1050W
Rated Output Power(Microwave):	700 W
Oven Capacity:	20 L
Turntable Diameter:	255 mm
External Dimensions:	439.5x340.0x258.2mm
Net Weight:	10.39 kg

6. INSTALLATION AND CONNECTION

Countertop Installation

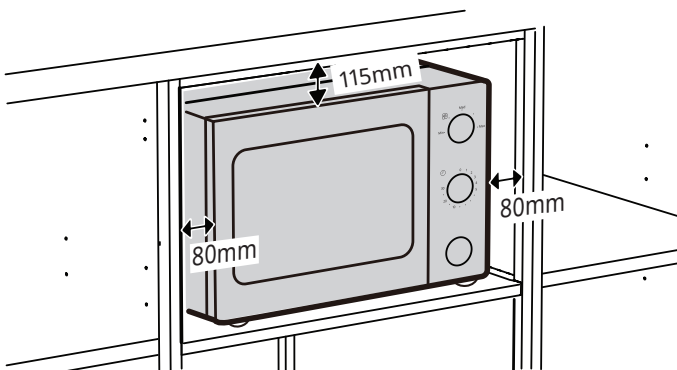
Remove all packing material and accessories. Examine the oven for any damage such as dents or broken door. Do not install if oven is damaged.

Cabinet: Remove any protective film found on the microwave oven cabinet surface.

Do not remove the light brown Mica cover that is attached to the oven cavity to protect the magnetron.

Installation

1. Select a level surface that provide enough open space for the intake and/or outlet vents.



- (1) The rear surface of appliance shall be placed against a wall. Leave a minimum clearance of 11.5 cm above the oven, a minimum clearance of 8 cm is required between the oven and any adjacent walls.
- (2) Do not remove the legs from the bottom of the oven.

- (3) Blocking the intake and/or outlet openings can damage the oven.
- (4) Place the oven as far away from radios and TV as possible. Operation of microwave oven may cause interference to your radio or TV reception.

2. Plug your oven into a standard household outlet. Be sure the voltage and the frequency is the same as the voltage and the frequency on the rating label.

WARNING: Do not install oven over a range cooktop or other heat-producing appliance. If installed near or over a heat source, the oven could be damaged and the warranty would be void.



The accessible surface may be hot during operation.

7. ENVIRONMENTAL CONCERNS



According to Waste of Electrical and Electronic Equipment (WEEE) directive, WEEE should be separately collected and treated. If at any time in future you need to dispose of this product please do NOT dispose of this product with household waste. Please send this product to WEEE collecting points where available.

8. IKEA GUARANTEE

How long is the IKEA guarantee valid?

This guarantee is valid for two (2) years from the original date of purchase of your appliance at IKEA. The original sales receipt, is required as proof of purchase. If service work is carried out under guarantee, this will not extend the guarantee period for the appliance.

Who will execute the service?

Contact nearest IKEA store.

What does this guarantee cover?

The guarantee covers faults of the appliance, which have been caused by faulty construction or material faults from the date of purchase from IKEA. This guarantee applies to domestic use only. The exceptions are specified under the headline "What is not covered under this guarantee?" Within the guarantee period, the costs to remedy the fault e.g. repairs, parts, labour and travel will be covered, provided that the appliance is accessible for repair without special expenditure. Replaced parts become the property of IKEA.

What will IKEA do to correct the problem?

IKEA will examine the product and decide, at its sole discretion, if it is covered under this guarantee. If considered covered, IKEA will then, at its sole discretion, either repair the defective product or replace it with the same or a comparable product.

What is not covered under this guarantee?

- Normal wear and tear.
- Deliberate or negligent damage, damage caused by failure to observe operating instructions, incorrect installation or by connection to the wrong voltage, damage caused by chemical or electrochemical reaction, rust, corrosion or water damage including but not limited to damage caused by excessive lime in the water supply, damage caused by abnormal environmental conditions.
- Consumable parts including batteries and lamps.
- Non-functional and decorative parts which do not affect normal use of the appliance, including any scratches and possible colour differences.
- Accidental damage caused by foreign objects or substances and cleaning or unblocking of filters, drainage systems or soap drawers.
- Damage to the following parts: ceramic glass, accessories, crockery and cutlery baskets, feed and drainage pipes, seals, lamps and lamp covers,

screens, knobs, casings and parts of casings. Unless such damages can be proved to have been caused by production faults.

- Repairs not carried out by our appointed service providers and/or an authorized service contractual partner or where non-original parts have been used.
- Repairs caused by installation which is faulty or not according to specification.
- The use of the appliance in a non-domestic environment i.e. professional use.
- Transportation damages. If a customer transports the product to his home or another address, IKEA is not liable for any damage that may occur during transport. However, if IKEA delivers the product to the customer's delivery address, then damage to the product that occurs during this delivery will be covered by IKEA.
- Cost for carrying out the initial installation of the IKEA appliance. However, if an IKEA appointed Service Provider or its authorized service partner repairs or replaces the appliance under the terms of this guarantee, the appointed Service Provider or its authorized service partner will reinstall the repaired appliance or install the replacement, if necessary.

How country law applies

The IKEA guarantee gives you specific legal rights, which cover or exceed all the local legal demands. However these conditions do not limit in any way consumer rights described in the local legislation.

Area of validity

For appliances which are purchased in one EU country and taken to another EU country, the services will be provided in the framework of the guarantee conditions normal in the new country. An obligation to carry out services in the framework of the guarantee exists only if the appliance complies and is installed in accordance with:

- the technical specifications of the country in which the guarantee claim is made;
- the Assembly Instructions and User Manual Safety Information.

AFTER SALES for IKEA appliances

Please don't hesitate to contact IKEA to:

- make a service request under this guarantee.
- ask for clarification on functions of IKEA appliances.

To ensure that we provide you with the best assistance, please read carefully the Assembly Instructions and/or the User Manual before contacting us.

ENGLISH

How to reach us if you need our service



The IKEA after sales customer service centre will assist you on the phone with basic trouble shooting for your appliance at the time of service call request. Please see the IKEA catalogue or visit www.ikea.com to find your local store phone number and opening time.

In order to provide you a quicker service, please also always refer to the IKEA article number (8 digit code) placed on the rating plate of your appliance.

SAVE THE SALES RECEIPT!

It is your proof of purchase and required for the guarantee to apply. The sales receipt also reports the IKEA name and article number (8 digit code) for each of the appliances you have purchased.

Do you need extra help?

For any additional questions not related to After Sales of your appliances please contact your nearest IKEA store call centre. We recommend you read the appliance documentation carefully before contacting us.

