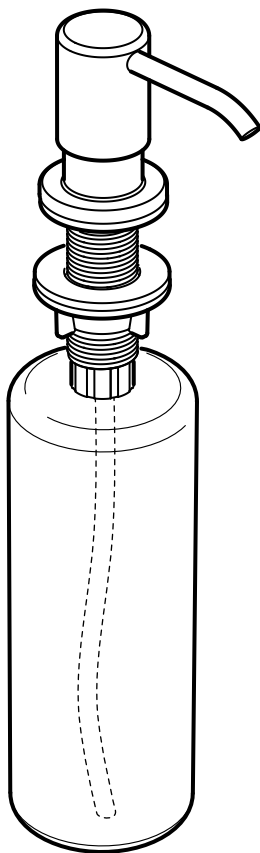
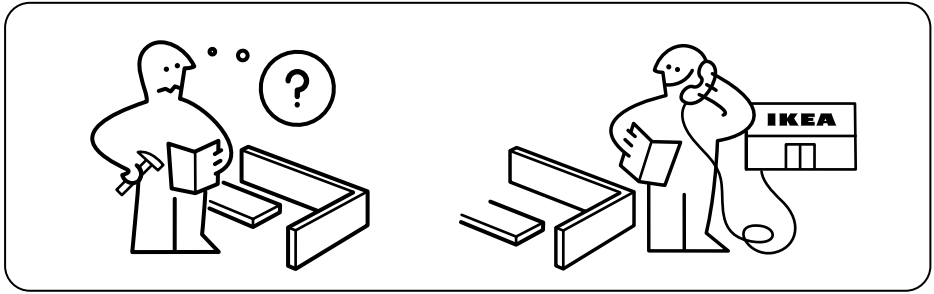


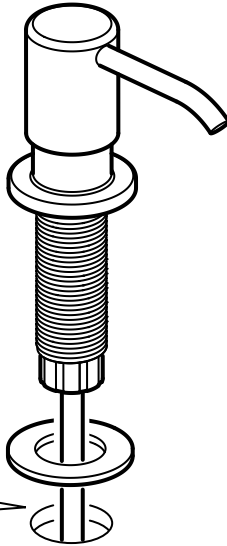
KNIPPEN



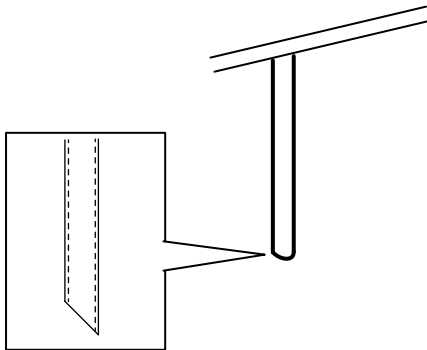
Design and Quality
IKEA of Sweden



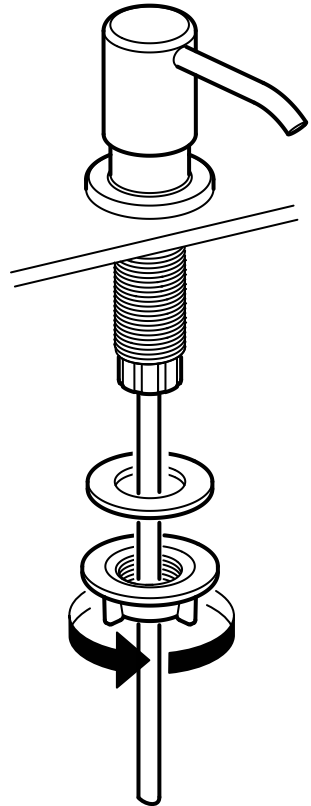
1



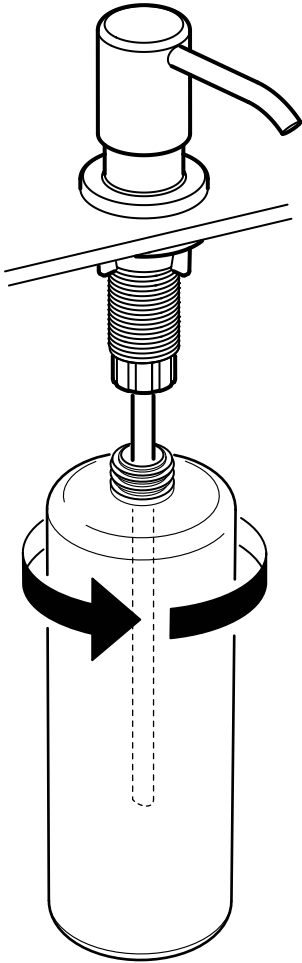
$\text{Ø } 28\text{-}35 \text{ mm}$
 $\text{Ø } 1 \frac{1}{8}\text{'-}1 \frac{3}{8}\text{'}$



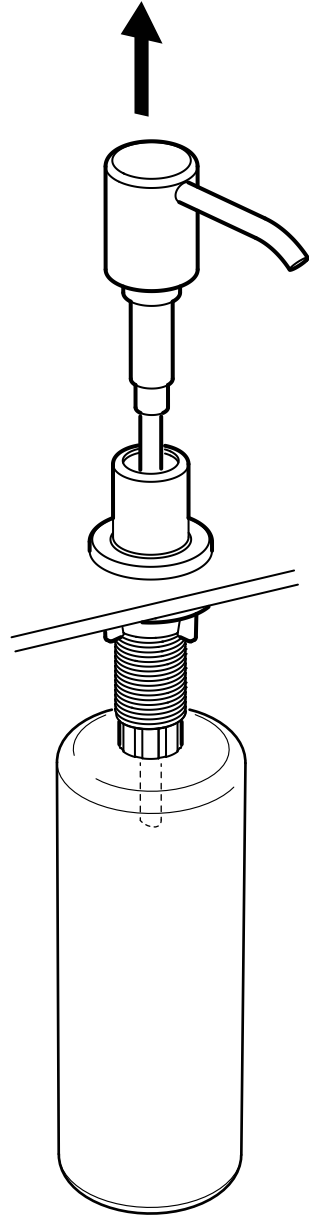
2



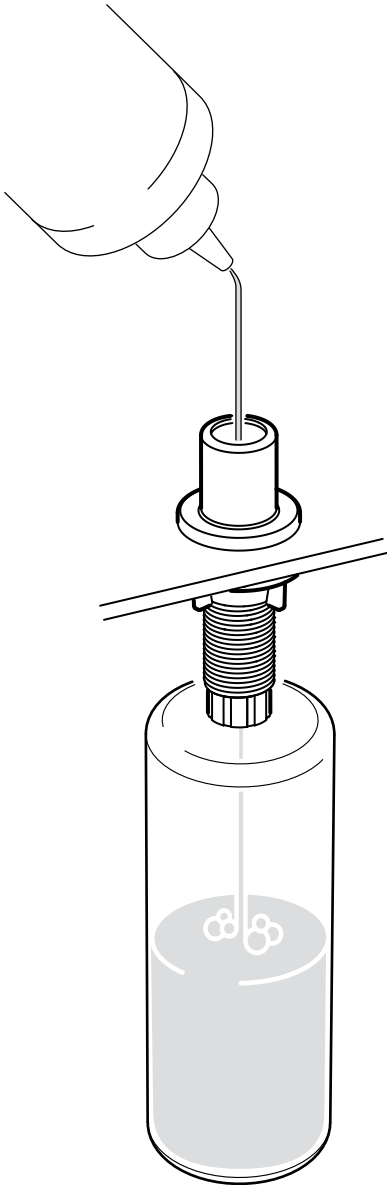
3



4



5



6

