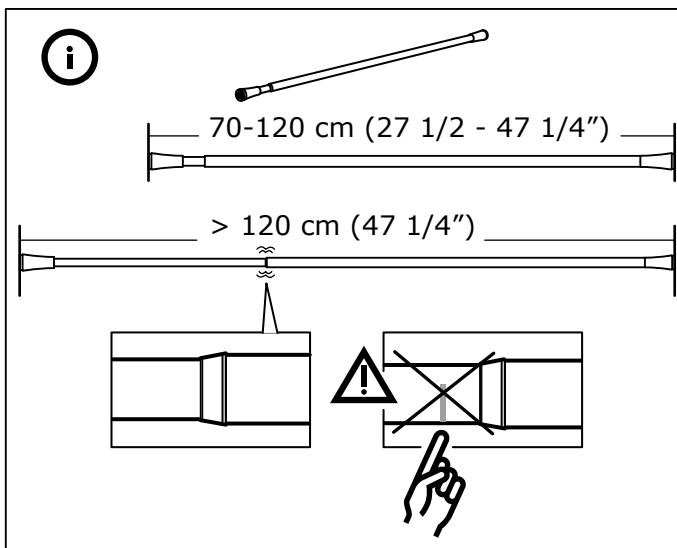
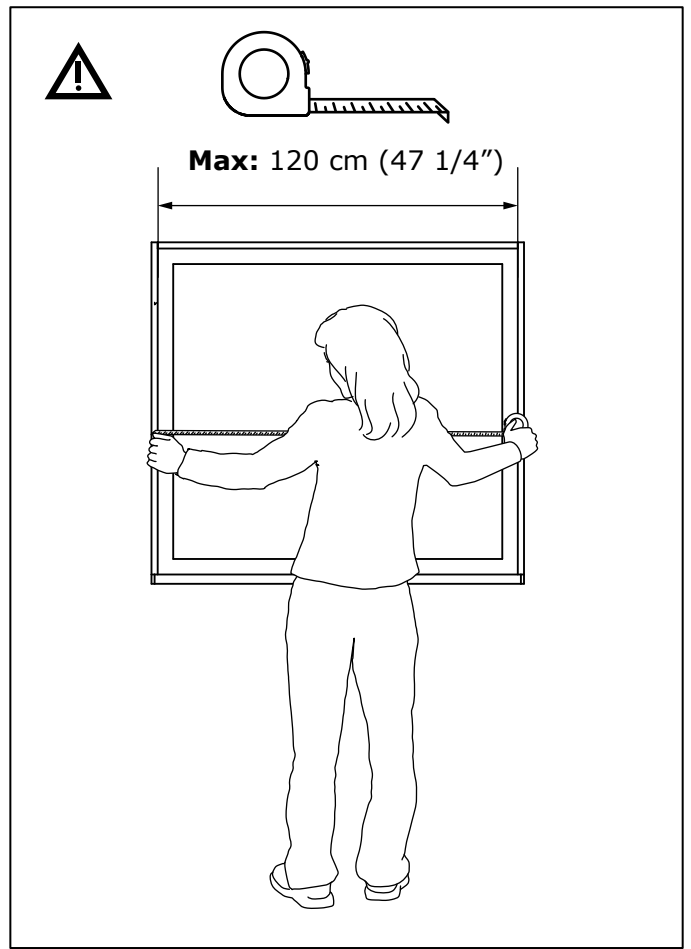
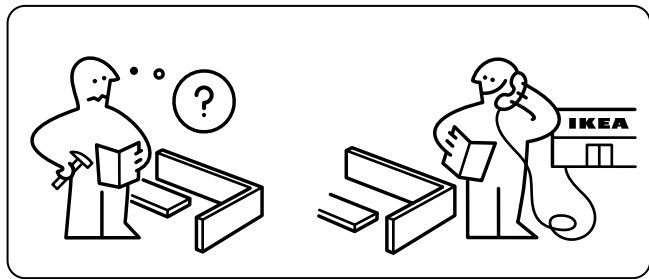
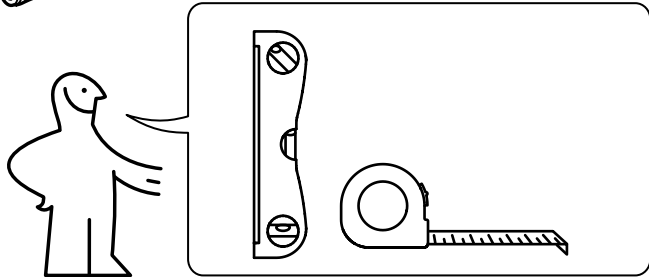
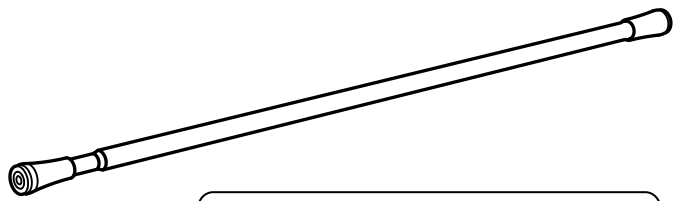
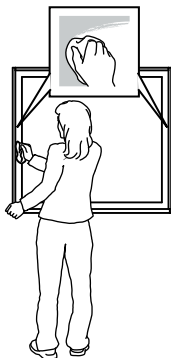


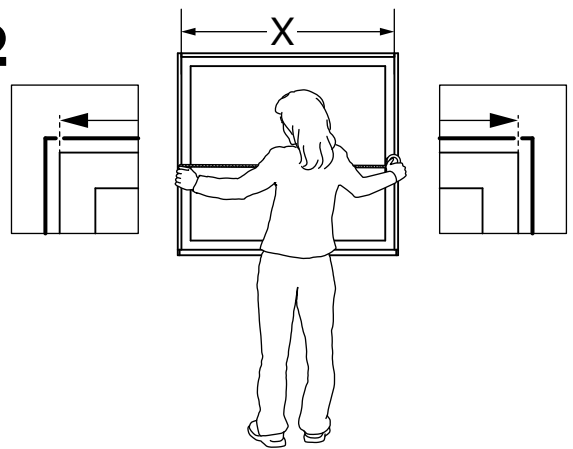
# FJÄDRANDE



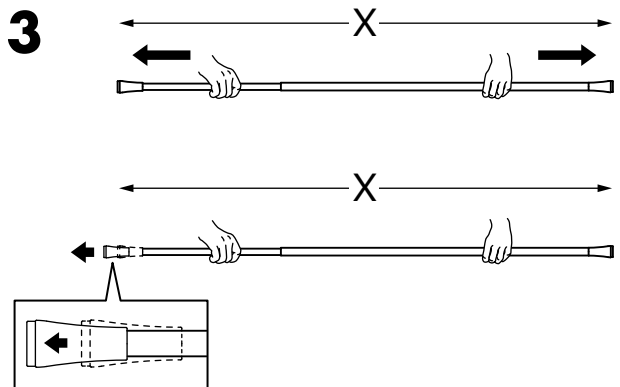
1



2



3



$X + 1,5 \text{ cm (X + 19/32" )}$



Design and Quality  
IKEA of Sweden

