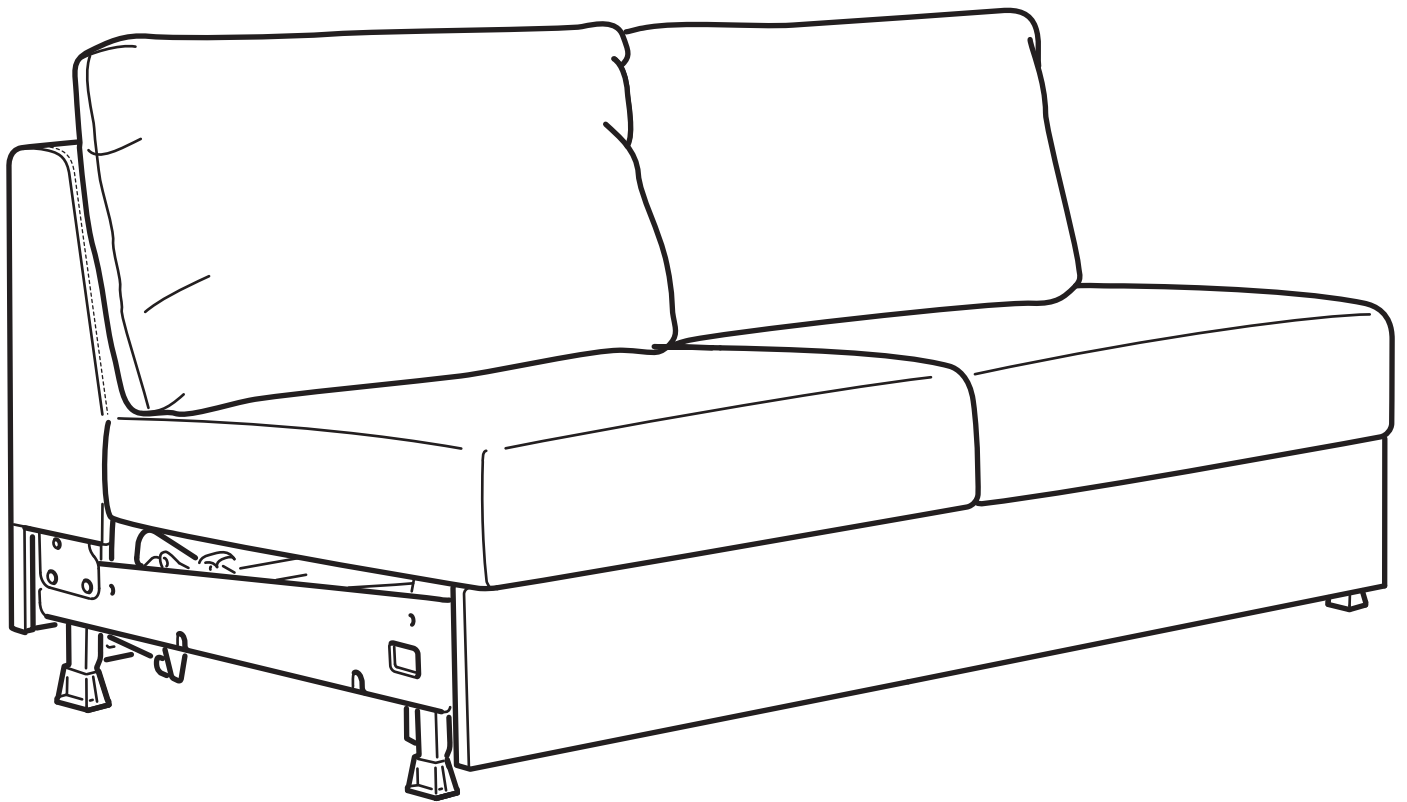
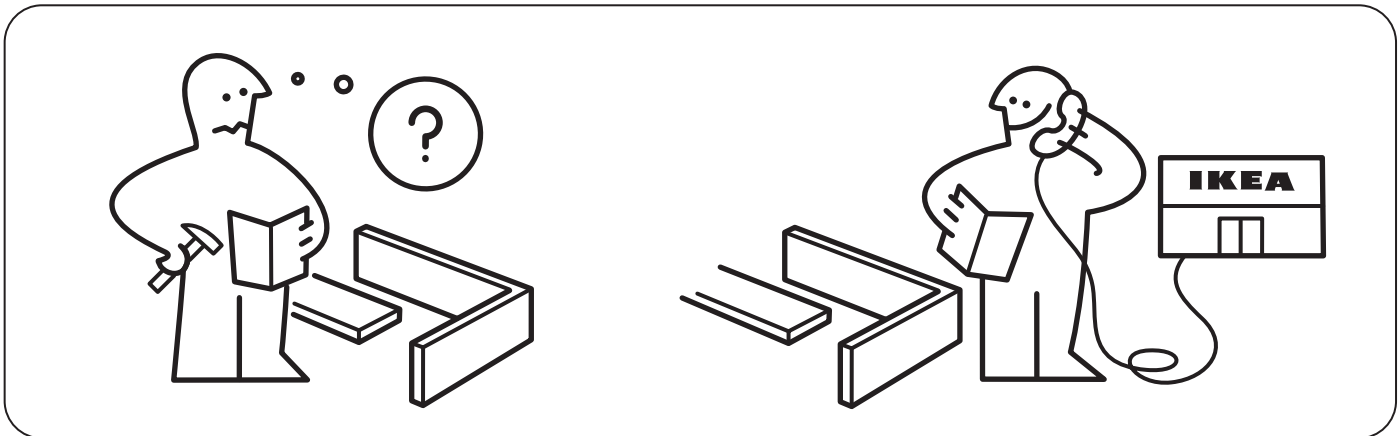
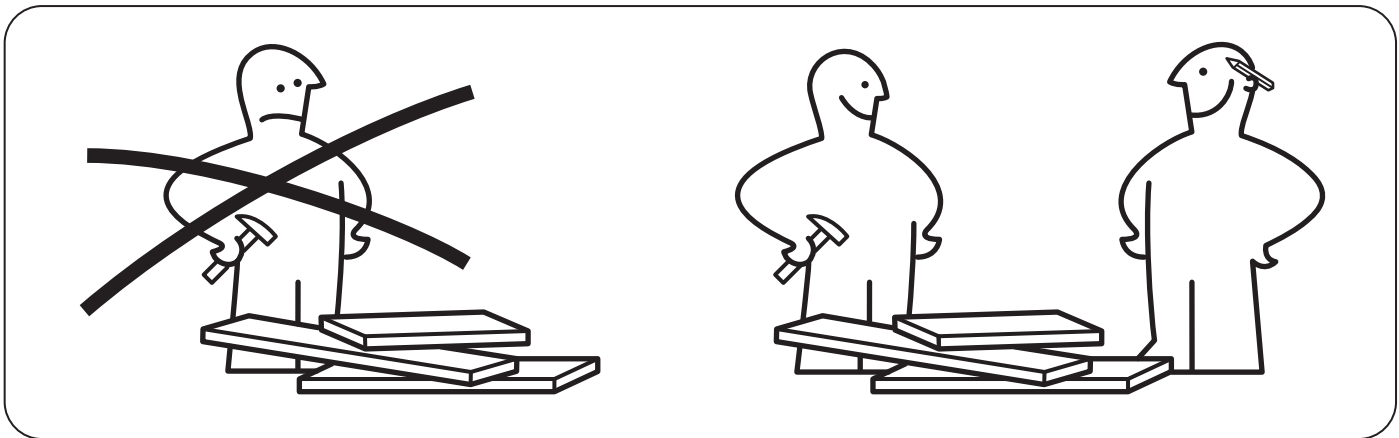
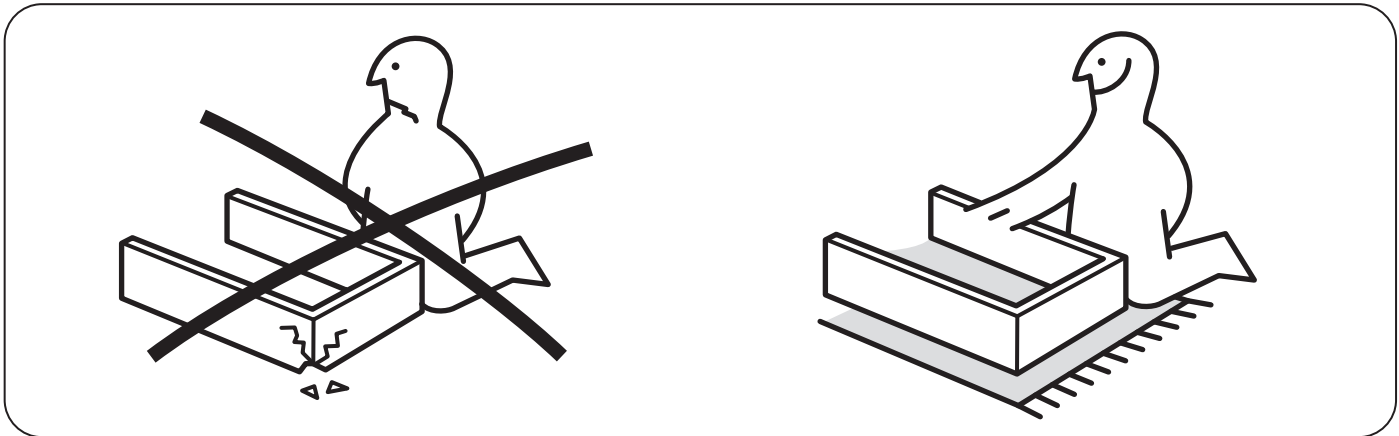
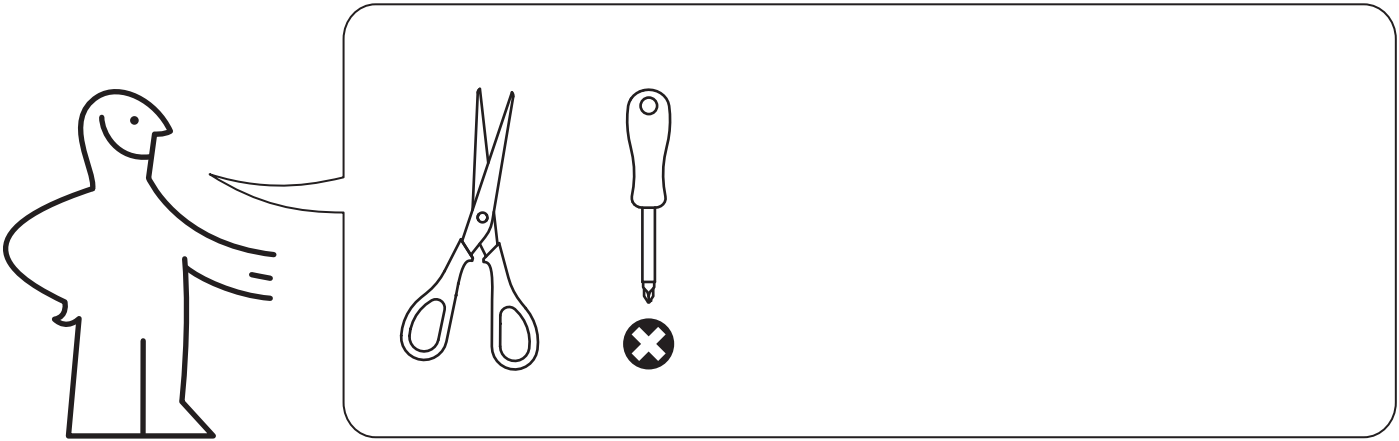
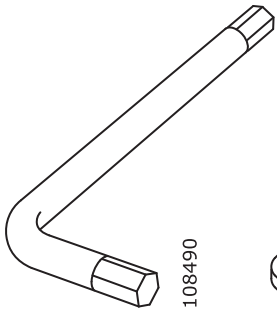


VIMLE

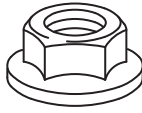


Design and Quality
IKEA of Sweden

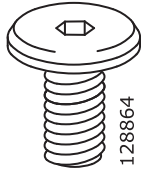




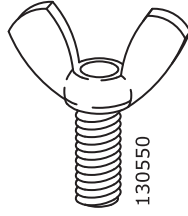
1x



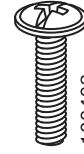
4x



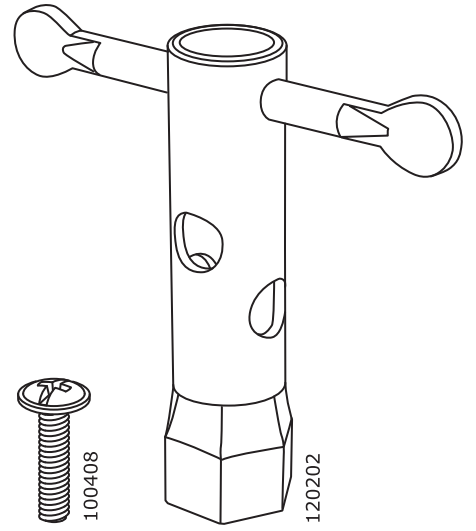
4x



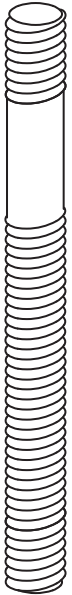
1x



2x



1x



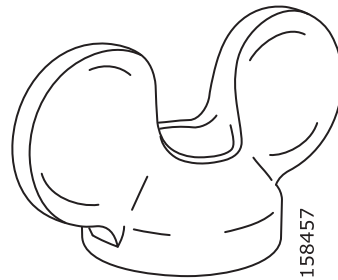
6x



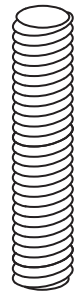
6x



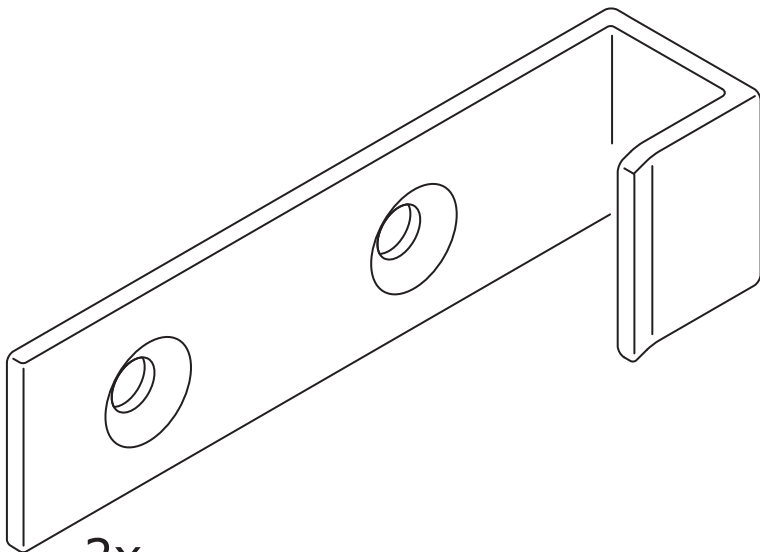
6x



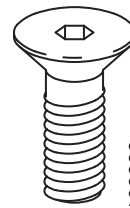
6x



4x

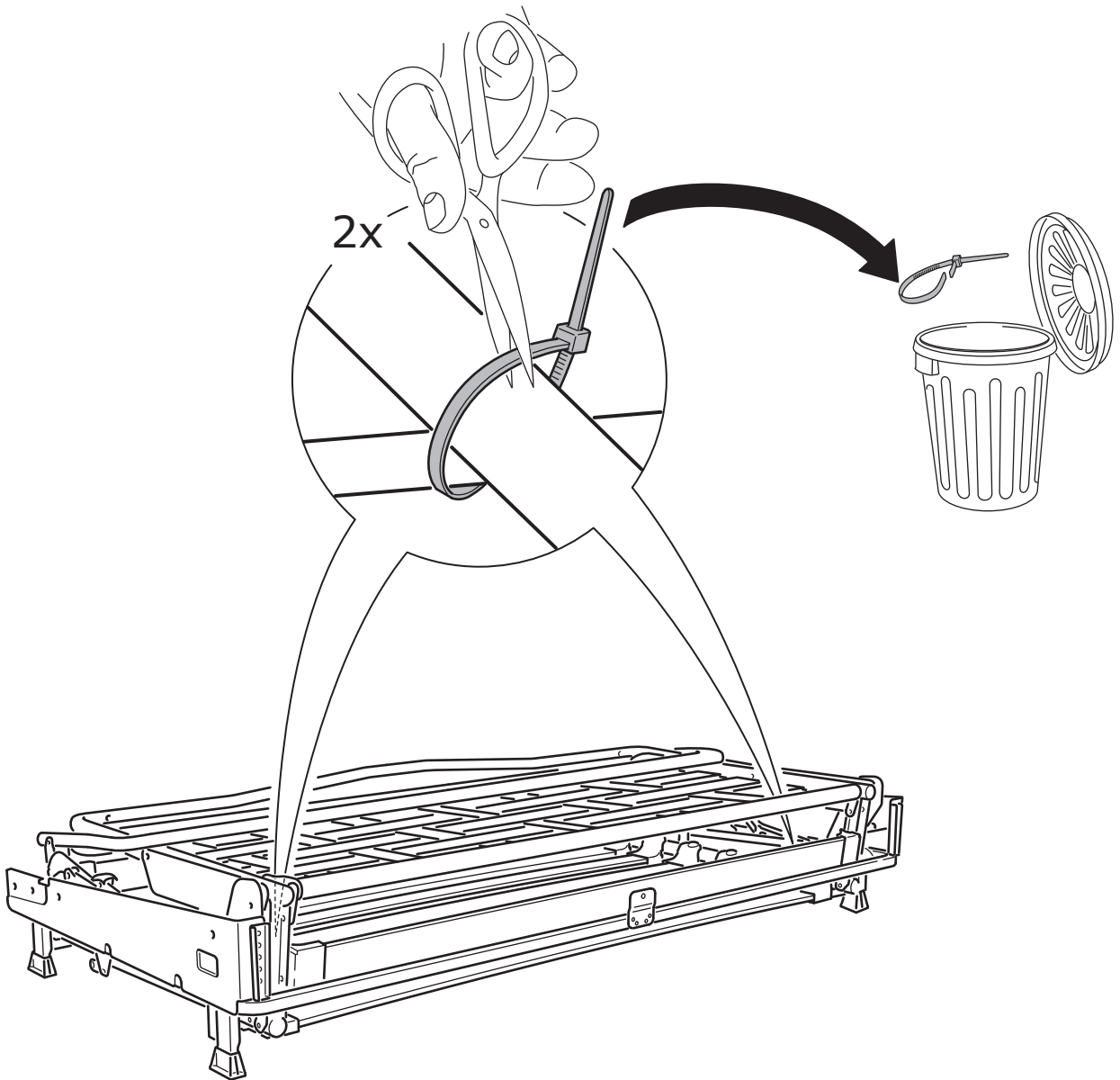
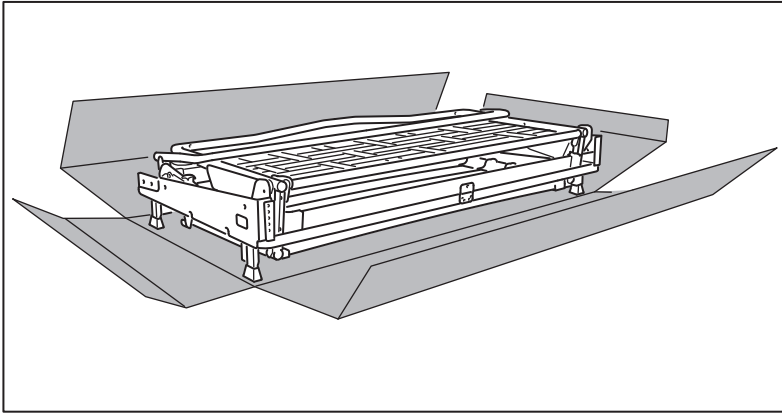


2x

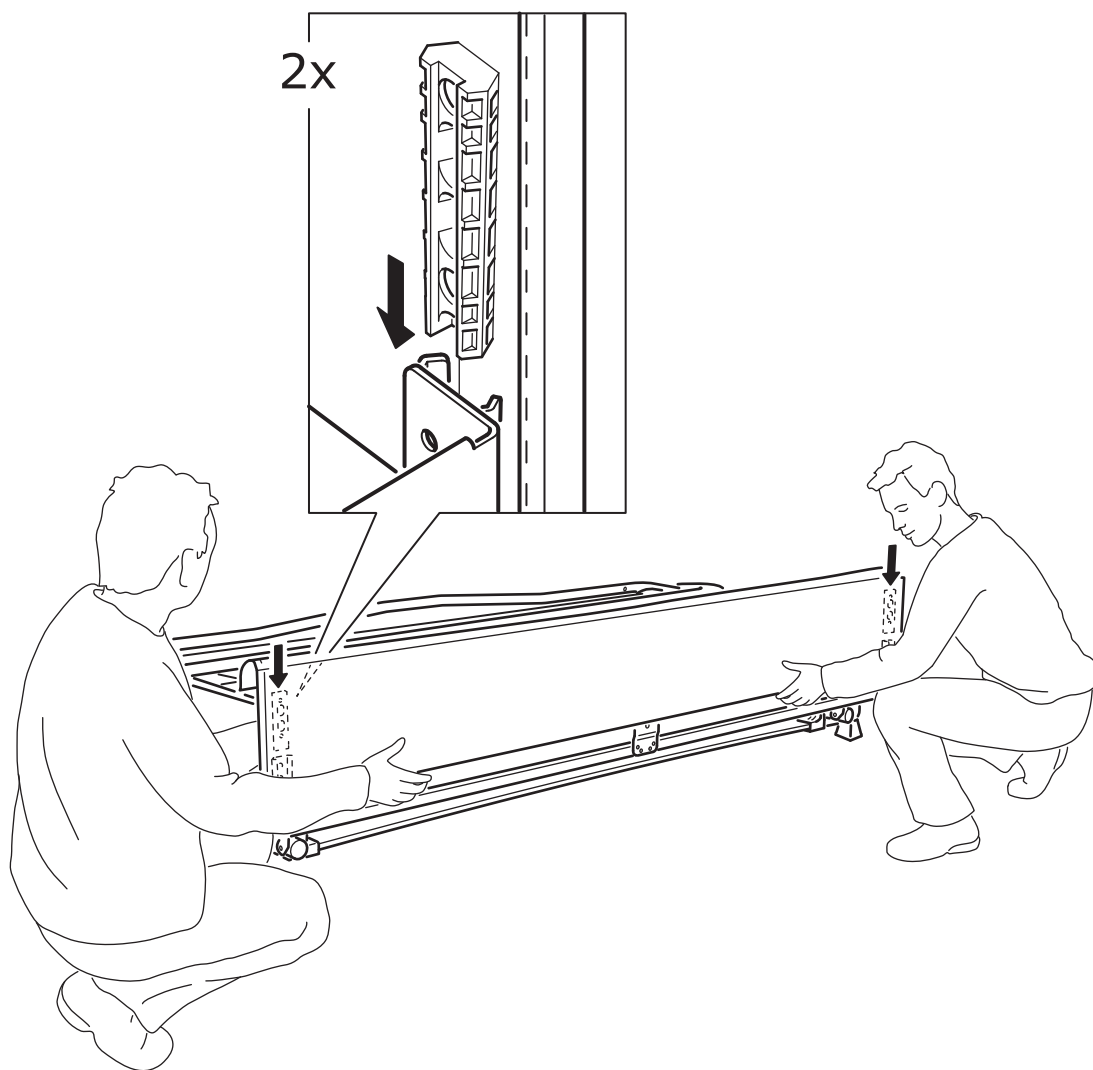


4x

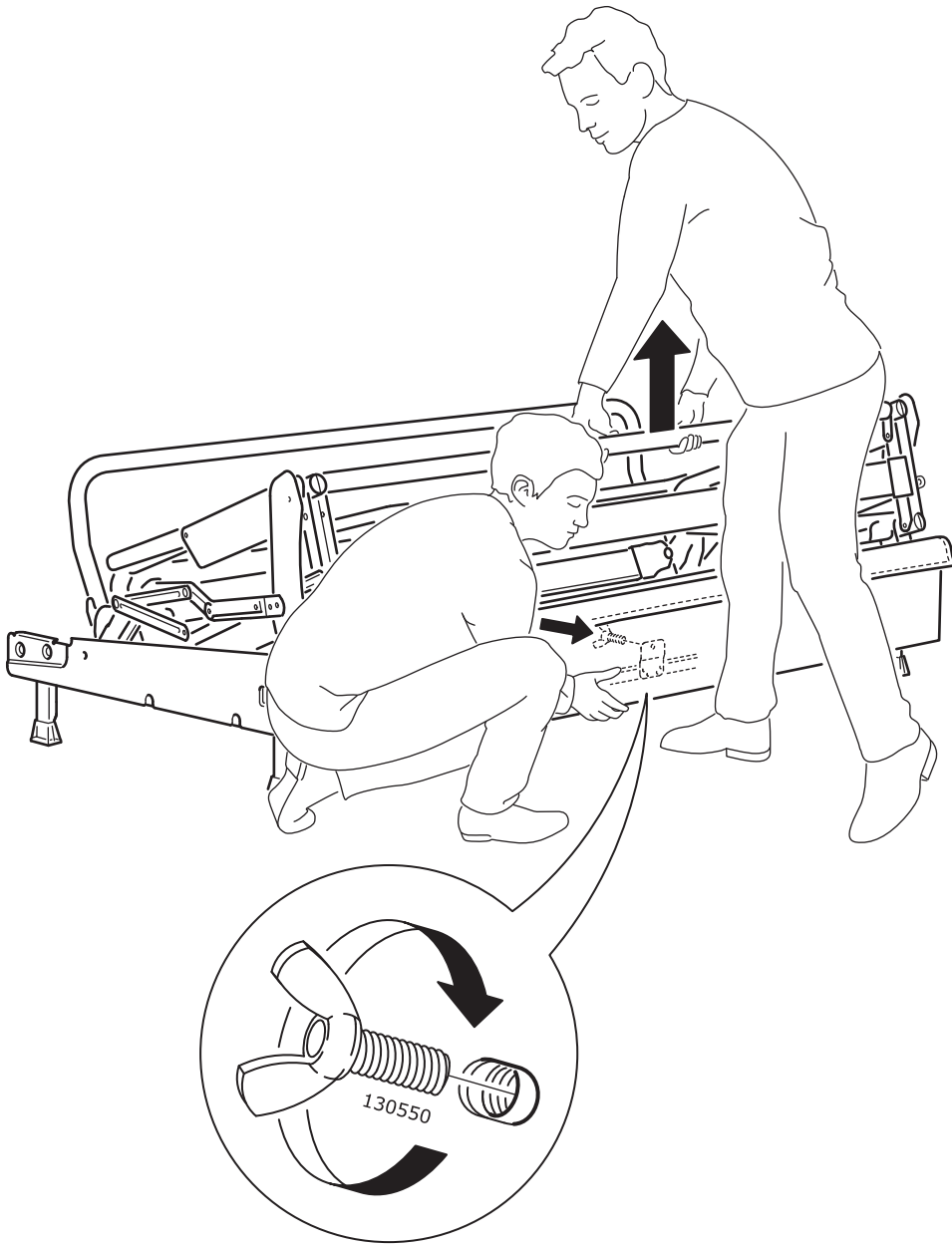
1



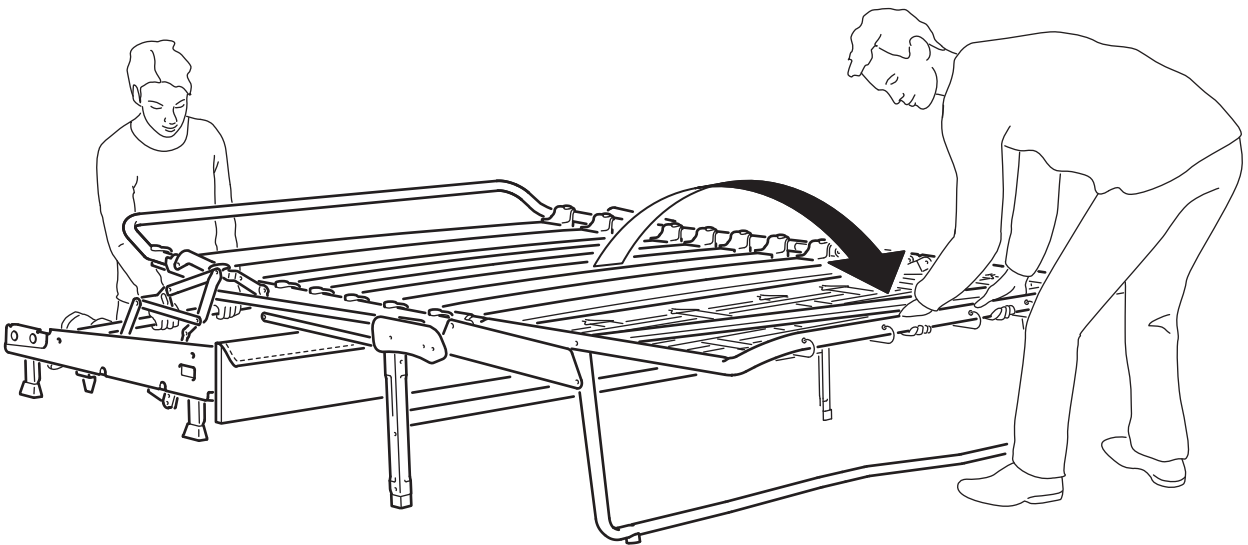
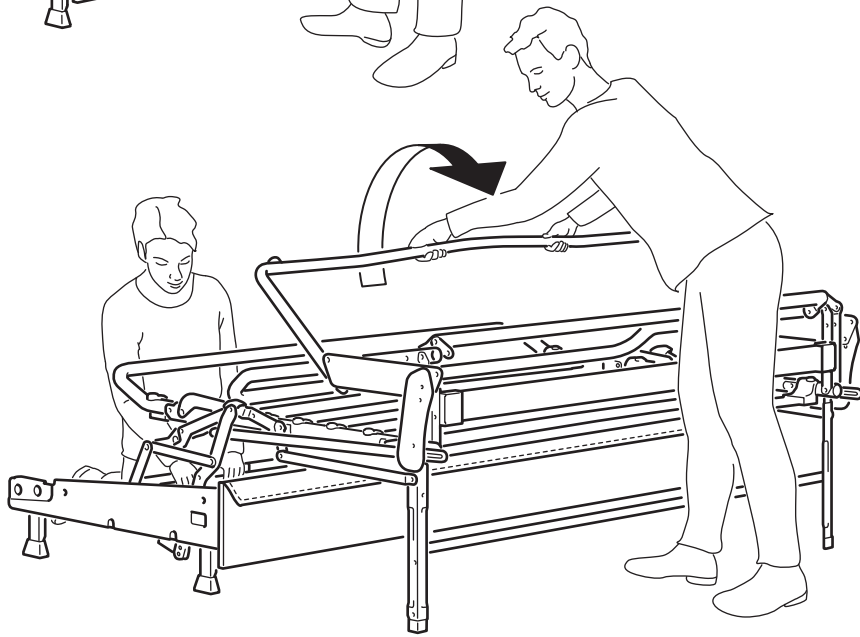
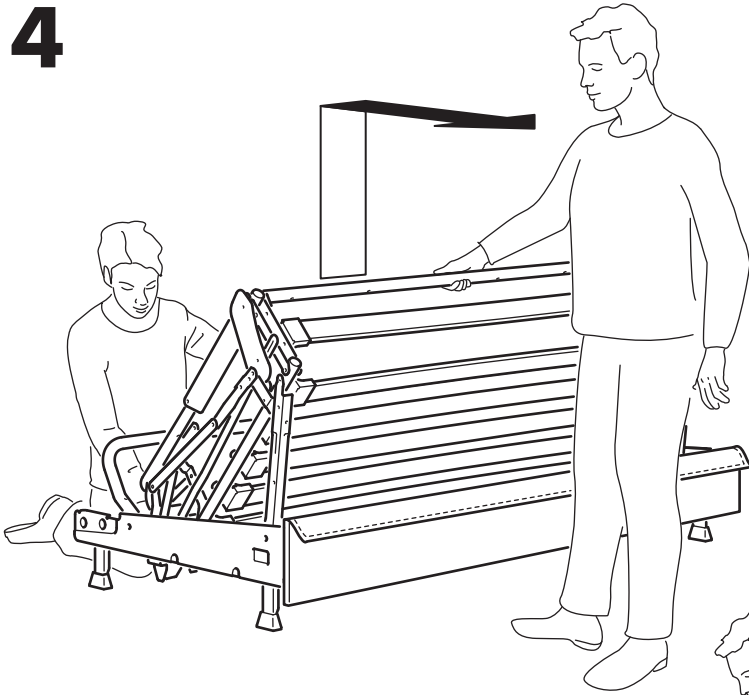
2



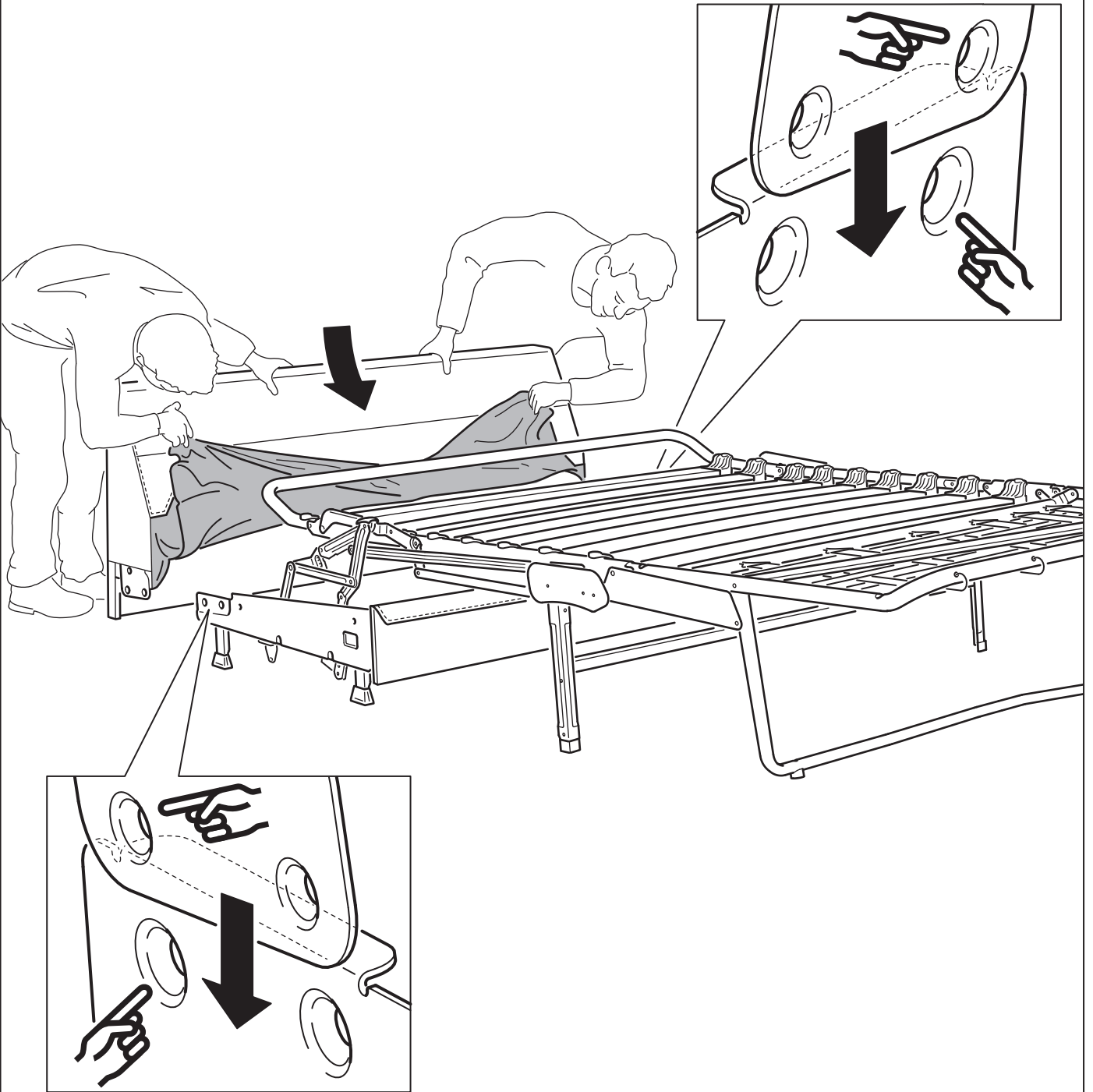
3



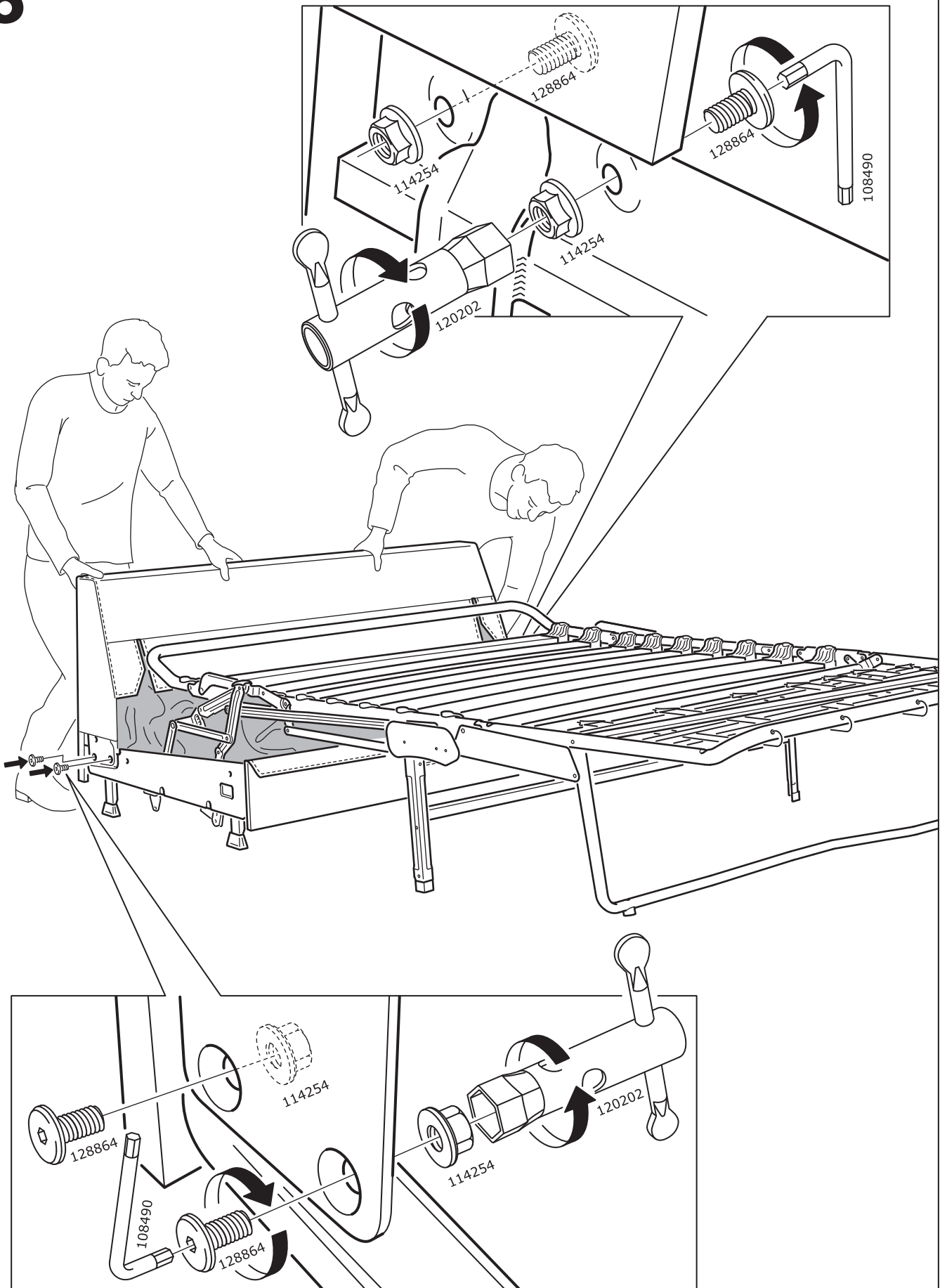
4



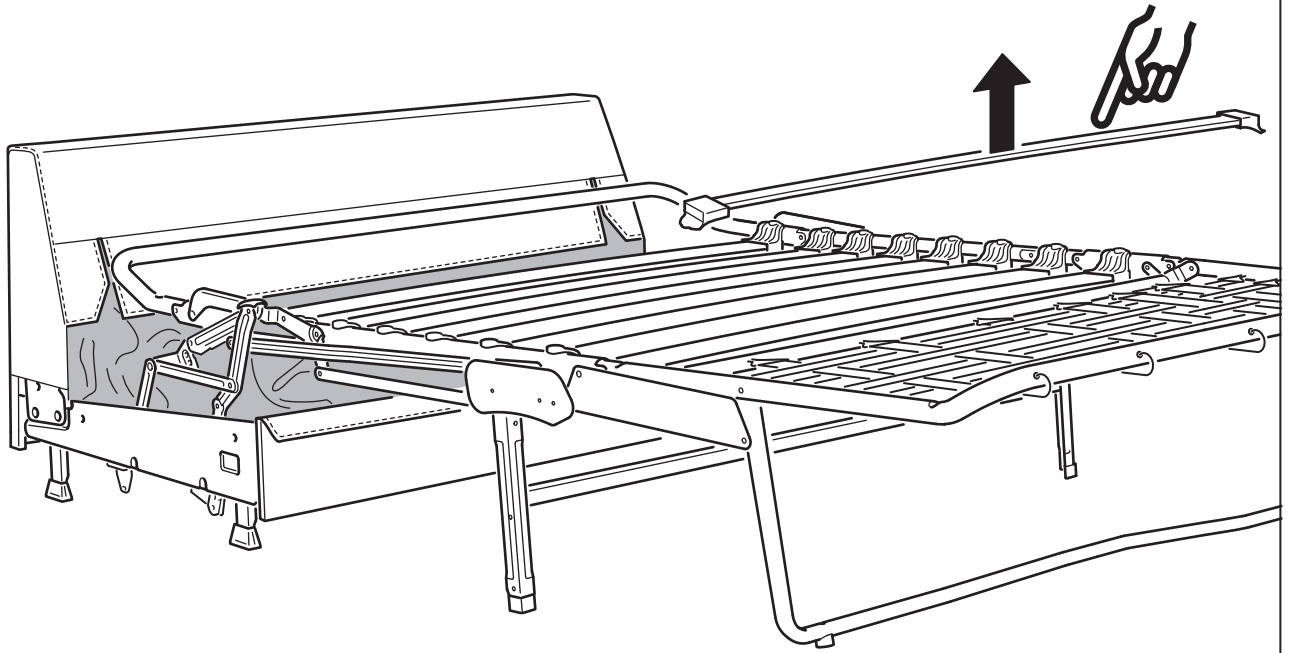
5



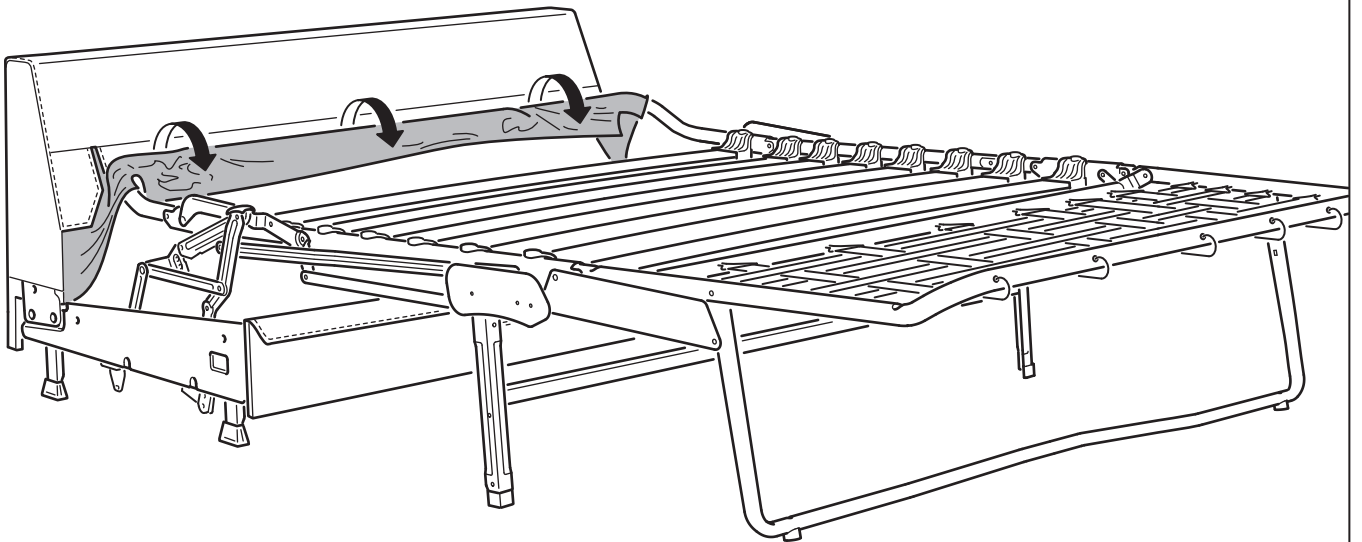
6



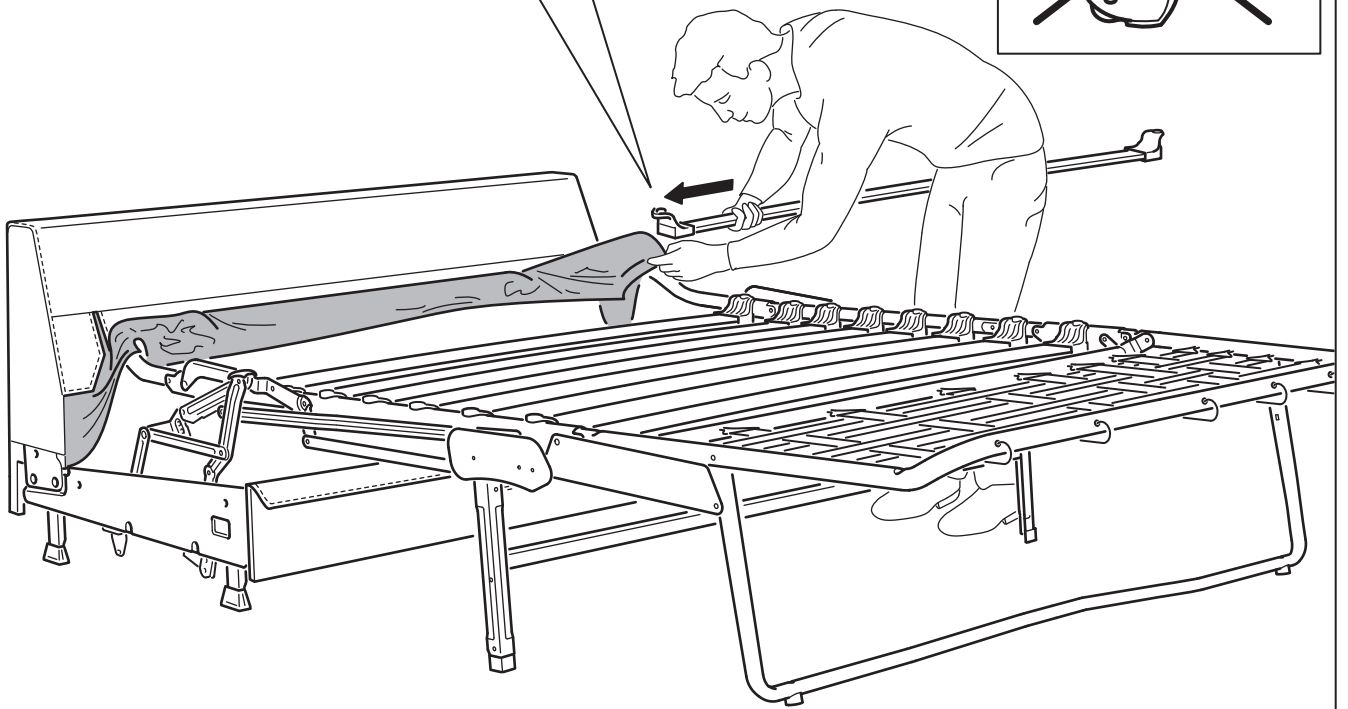
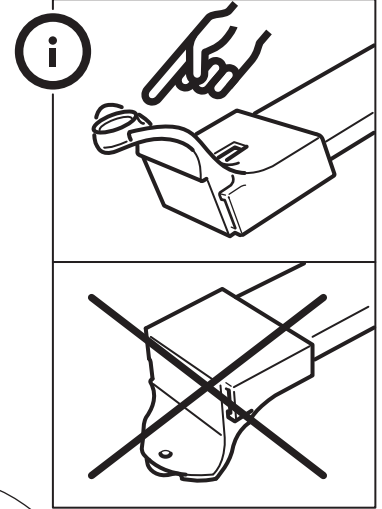
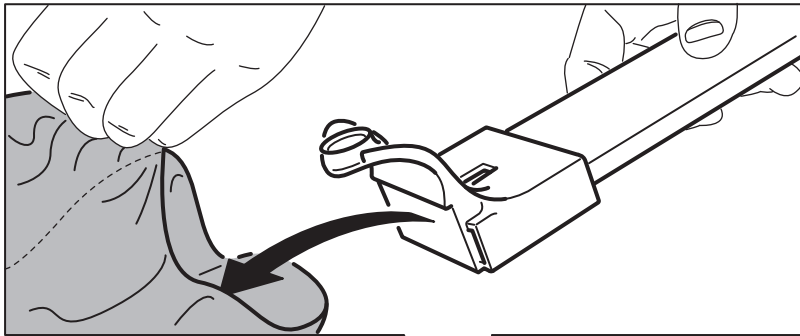
7



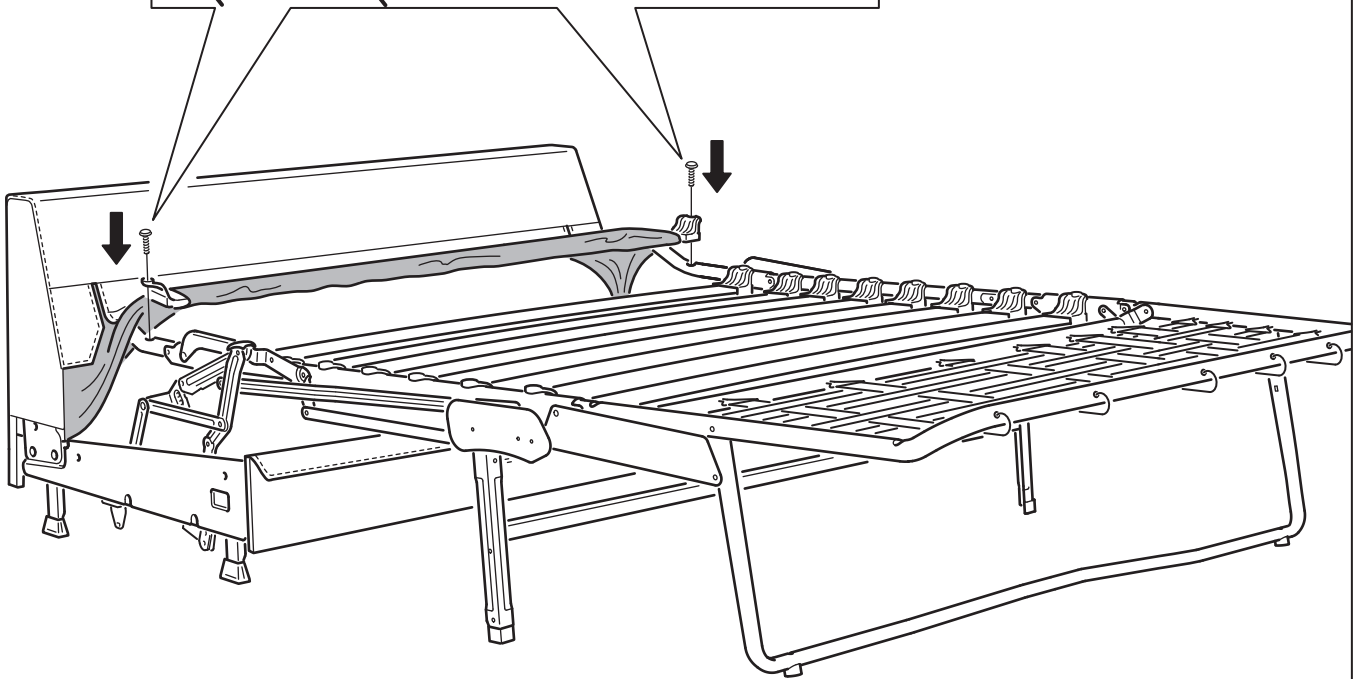
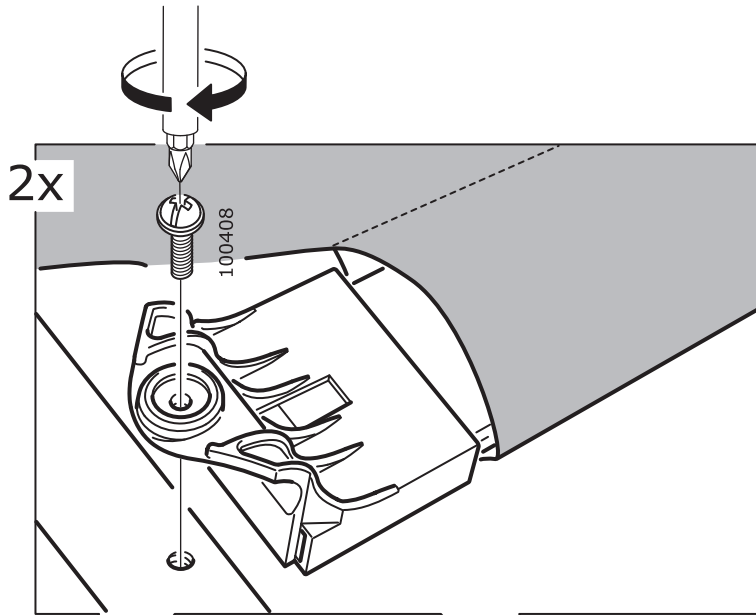
8

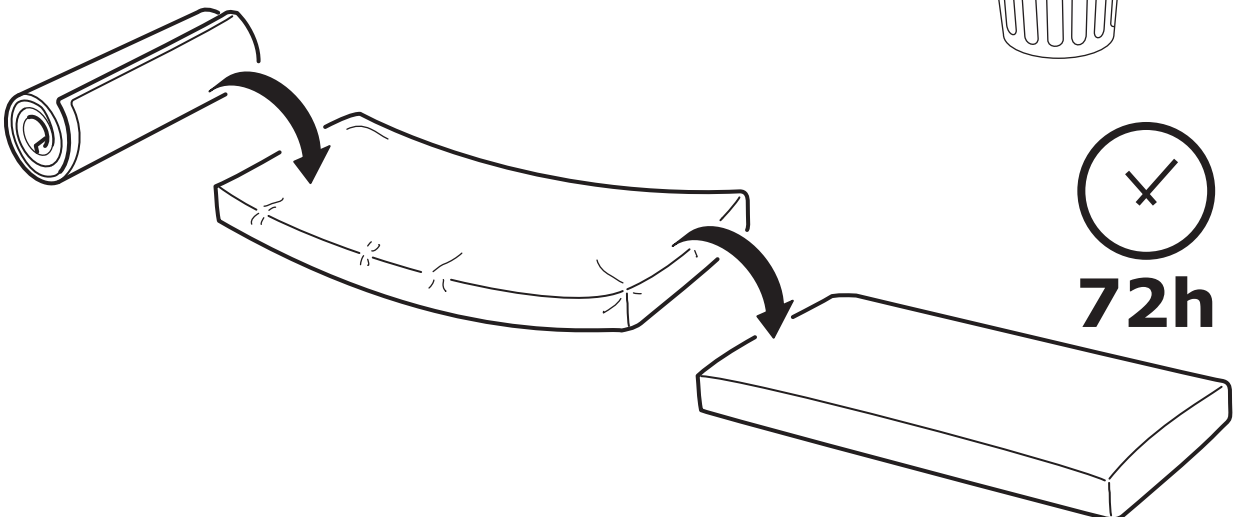
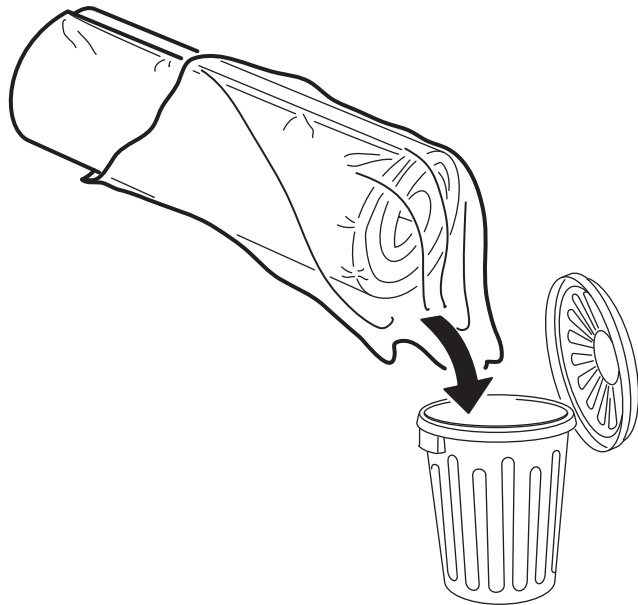
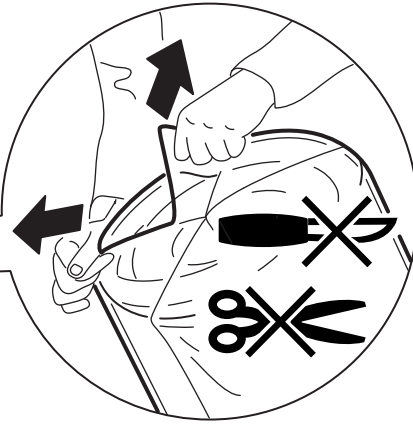
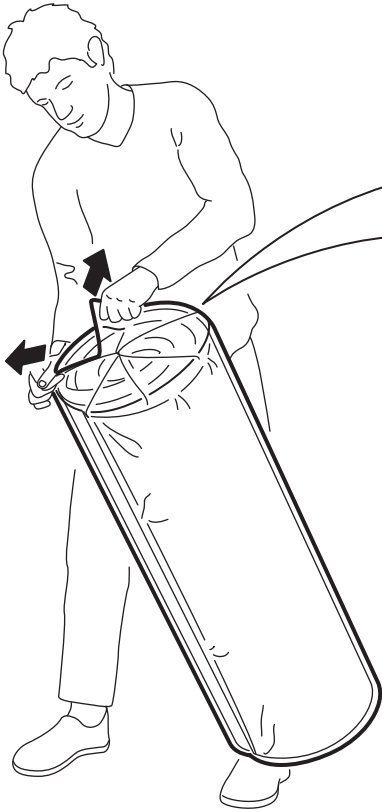
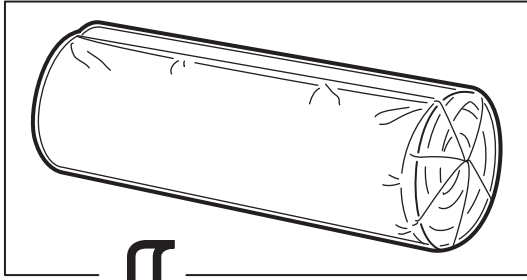


9

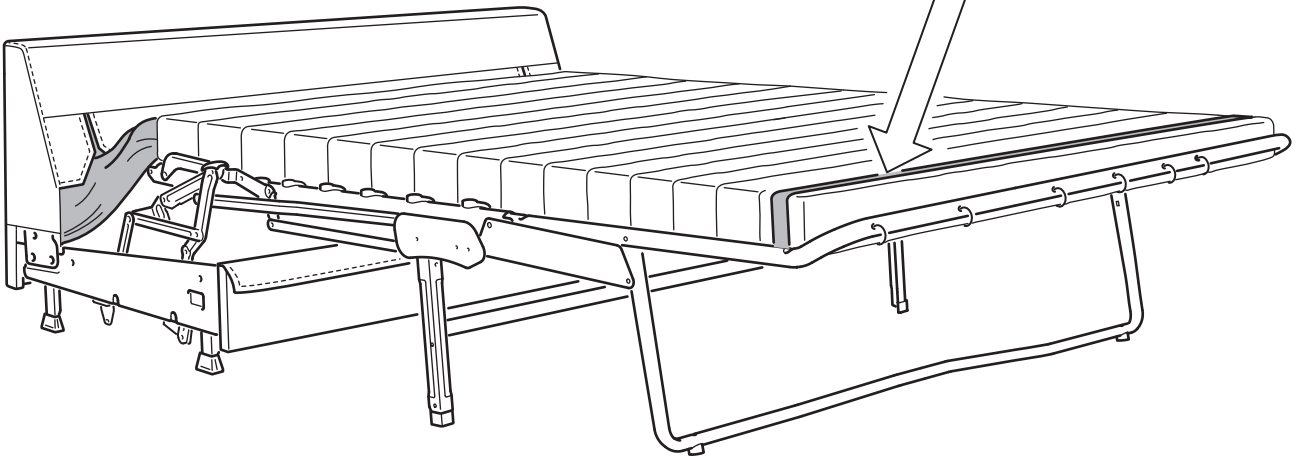
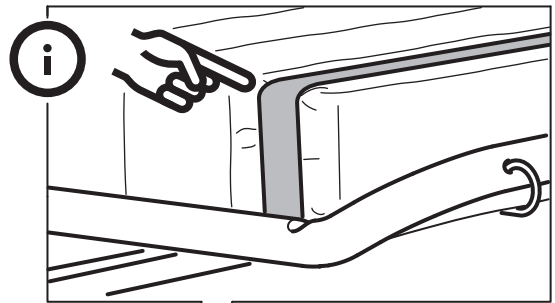
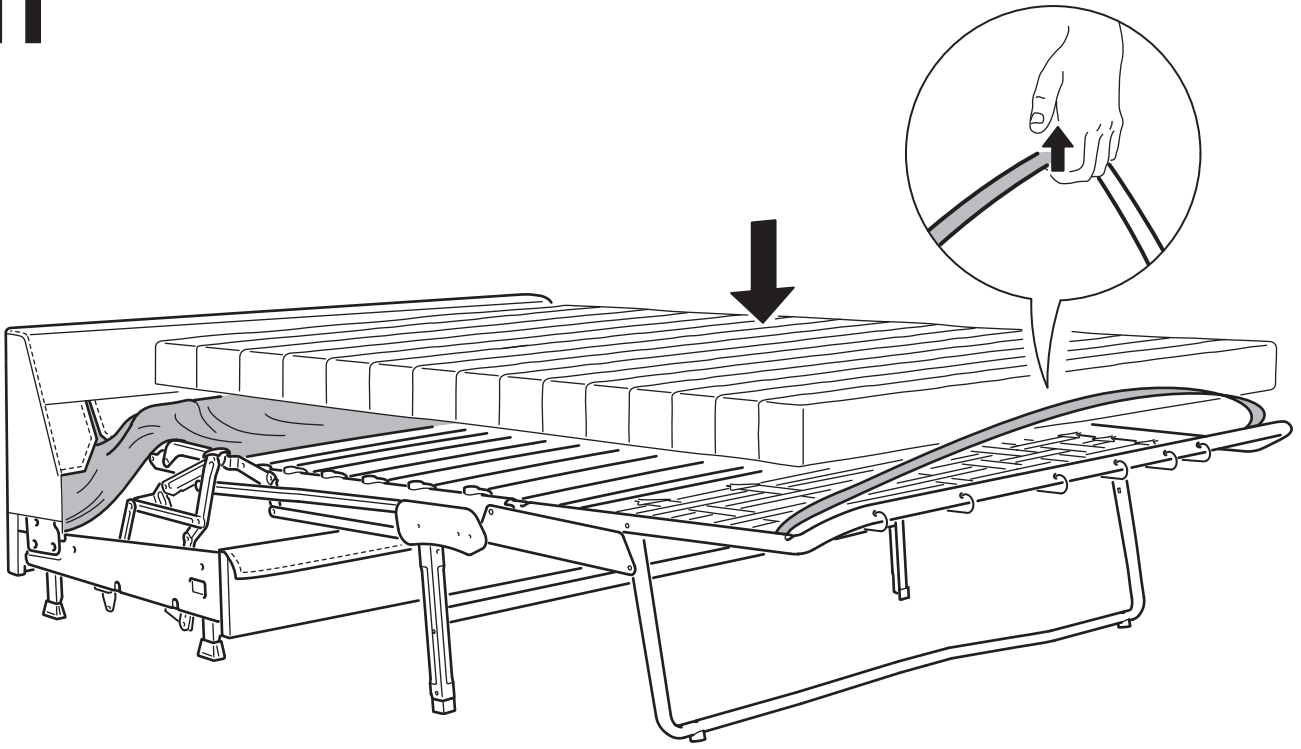


10

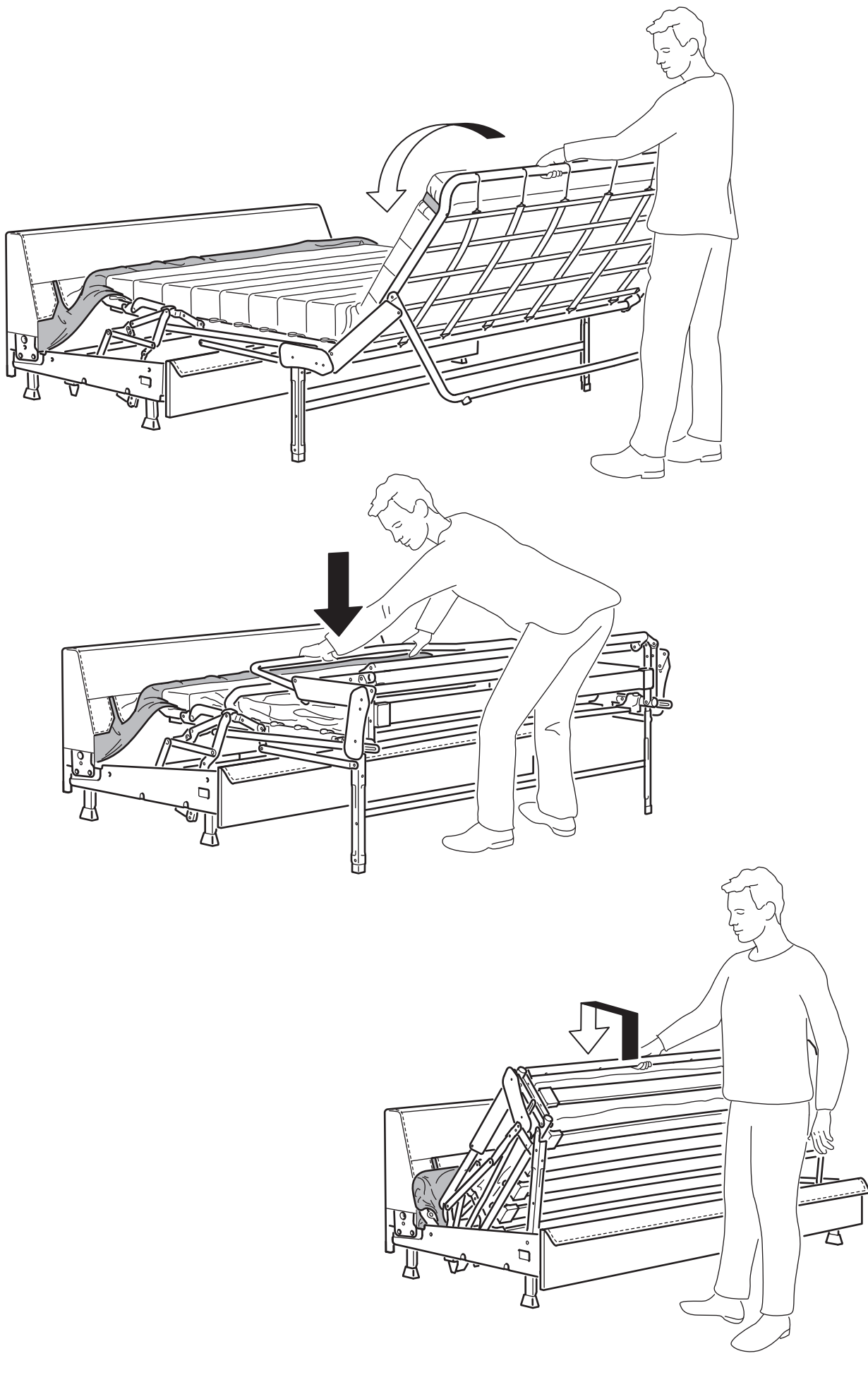


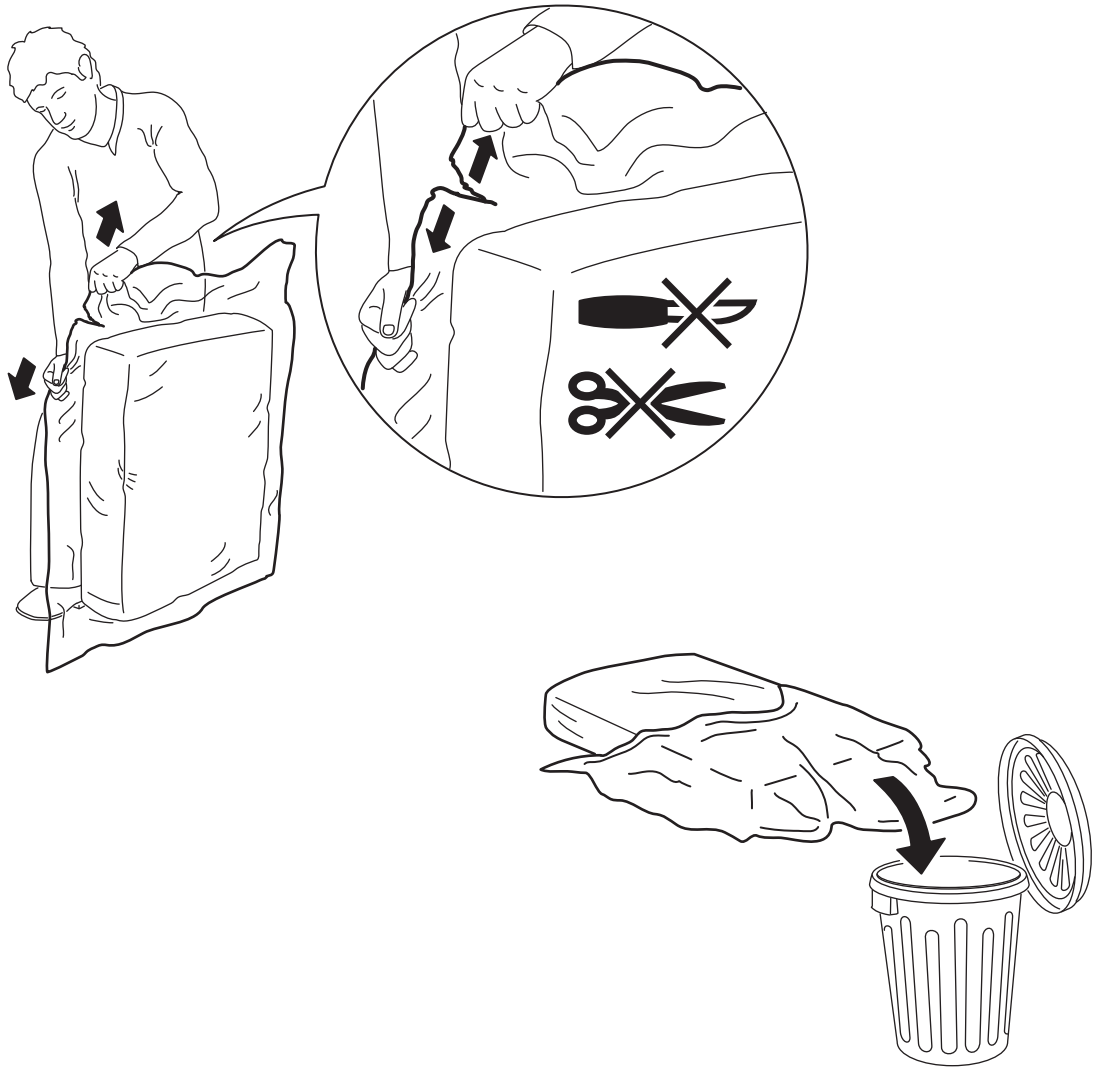


11

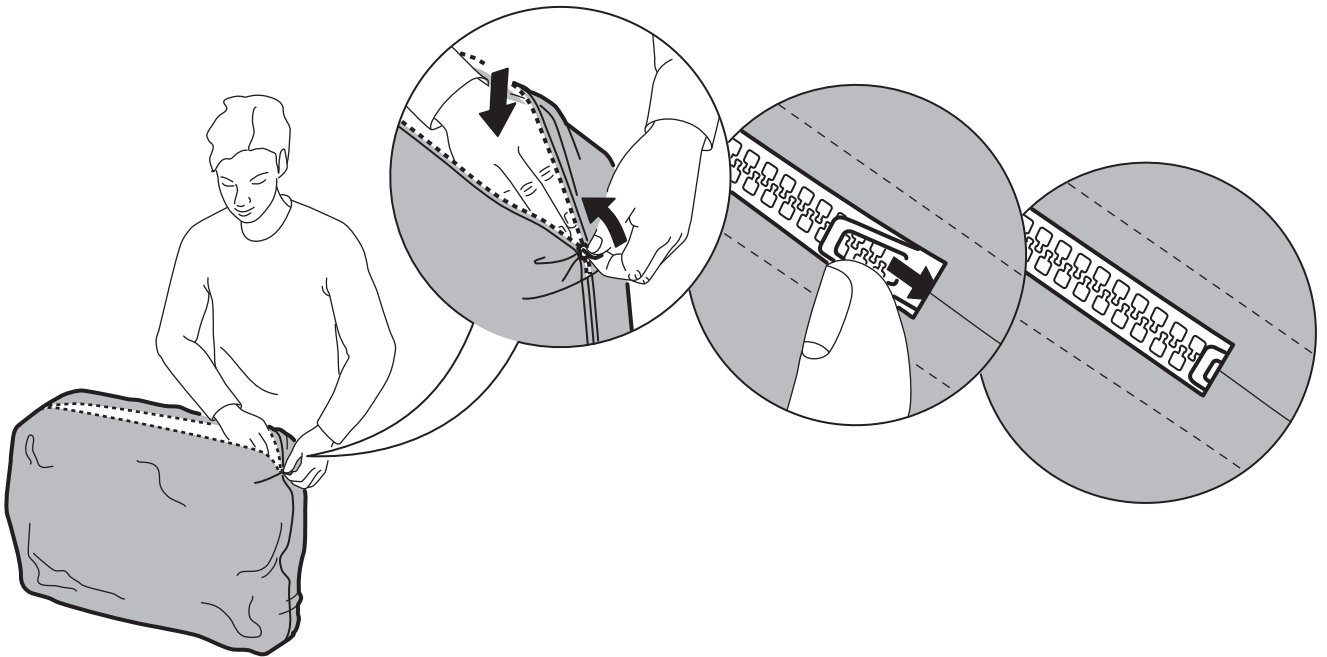
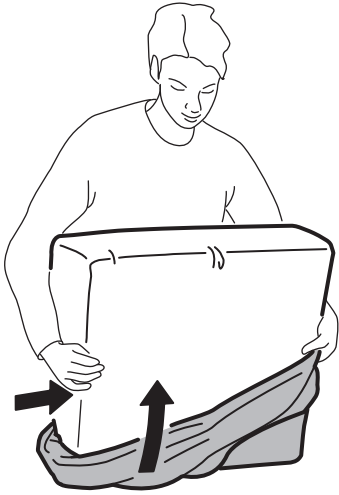
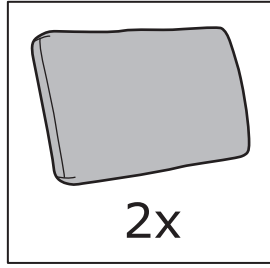
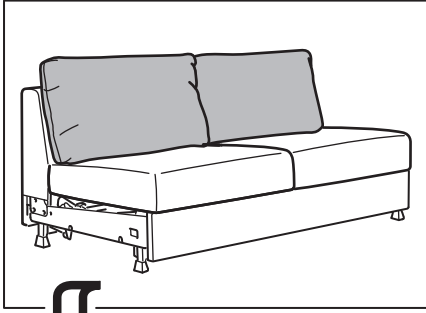


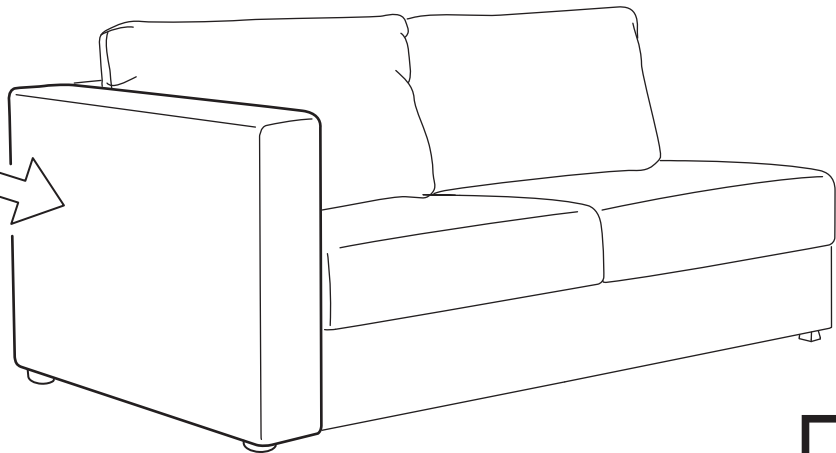
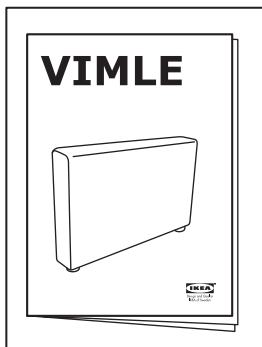
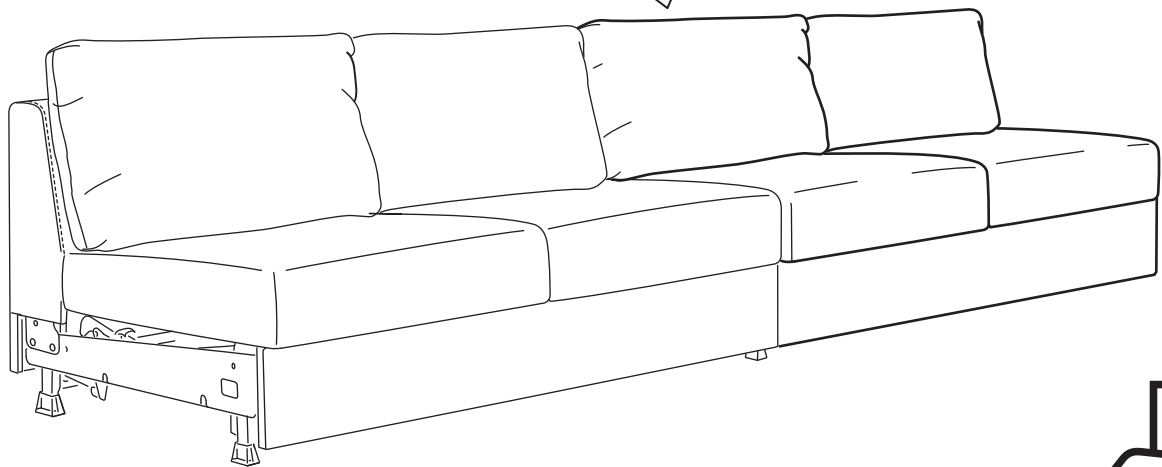
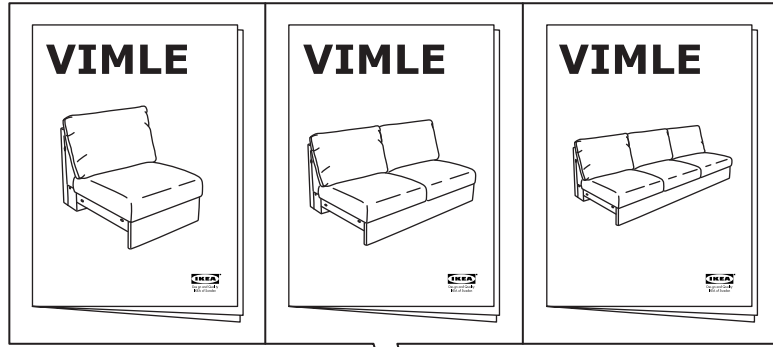
12

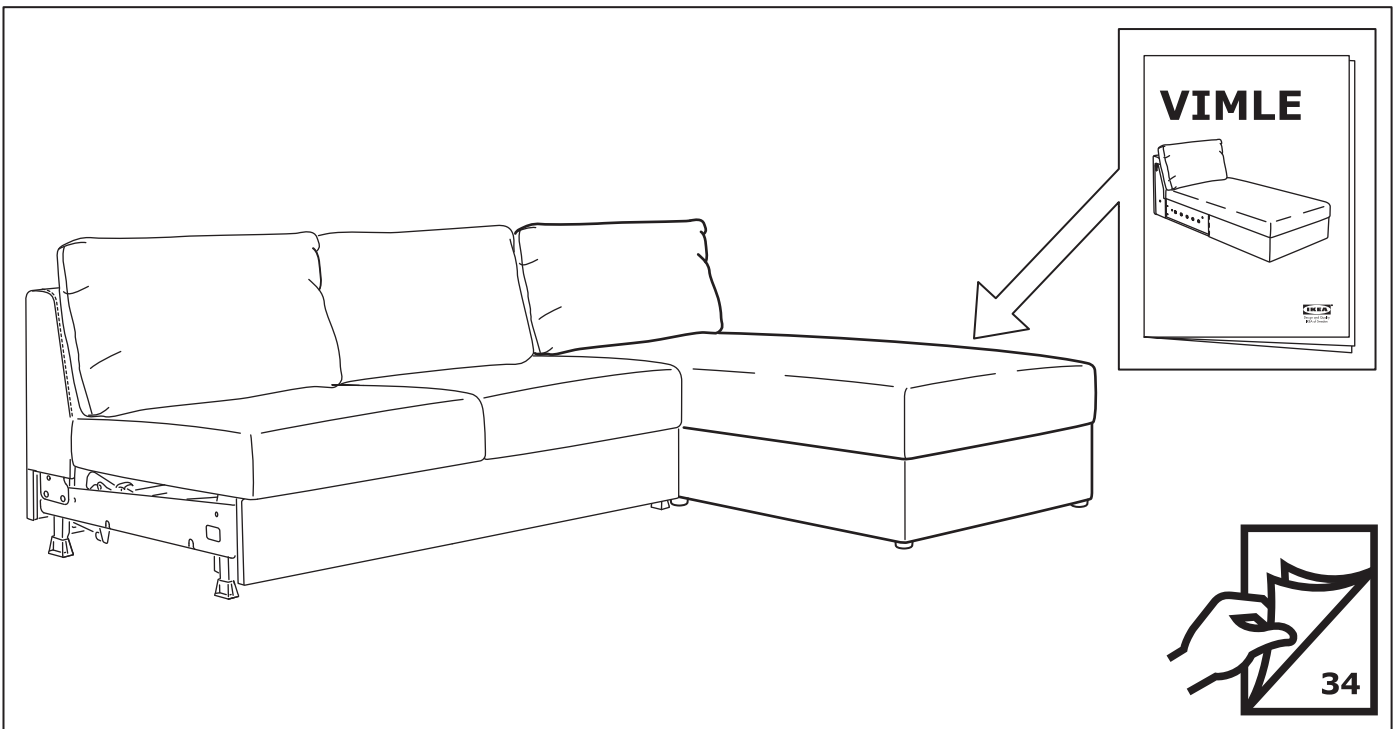
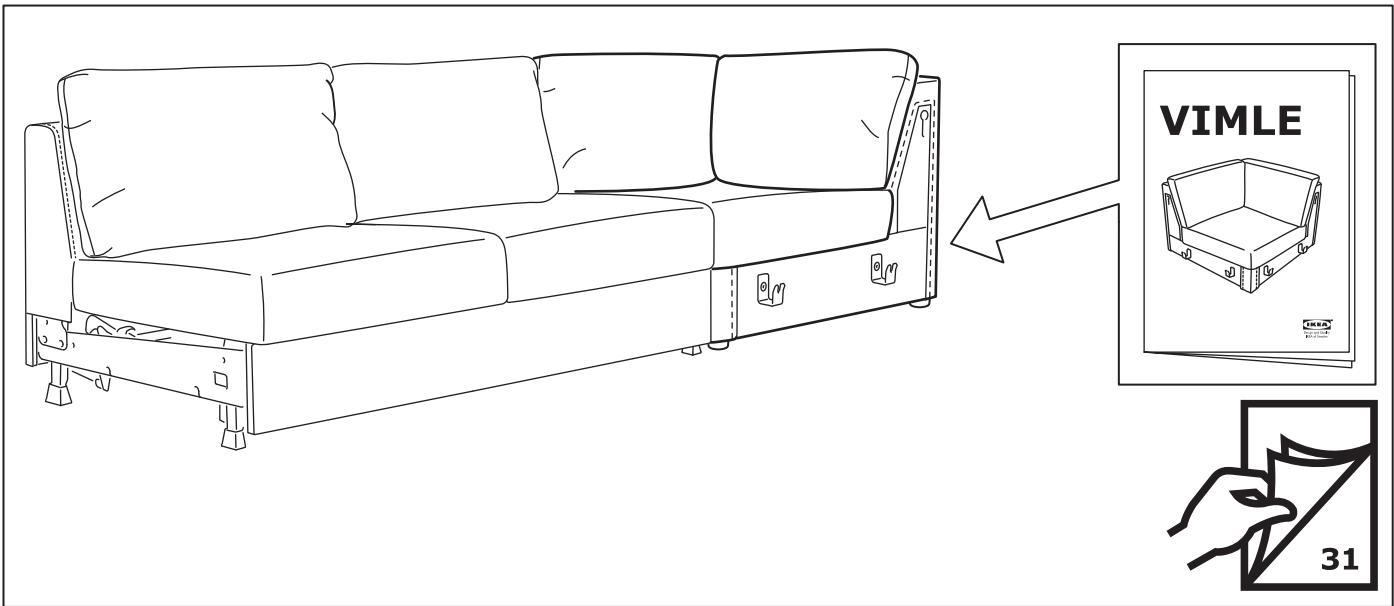
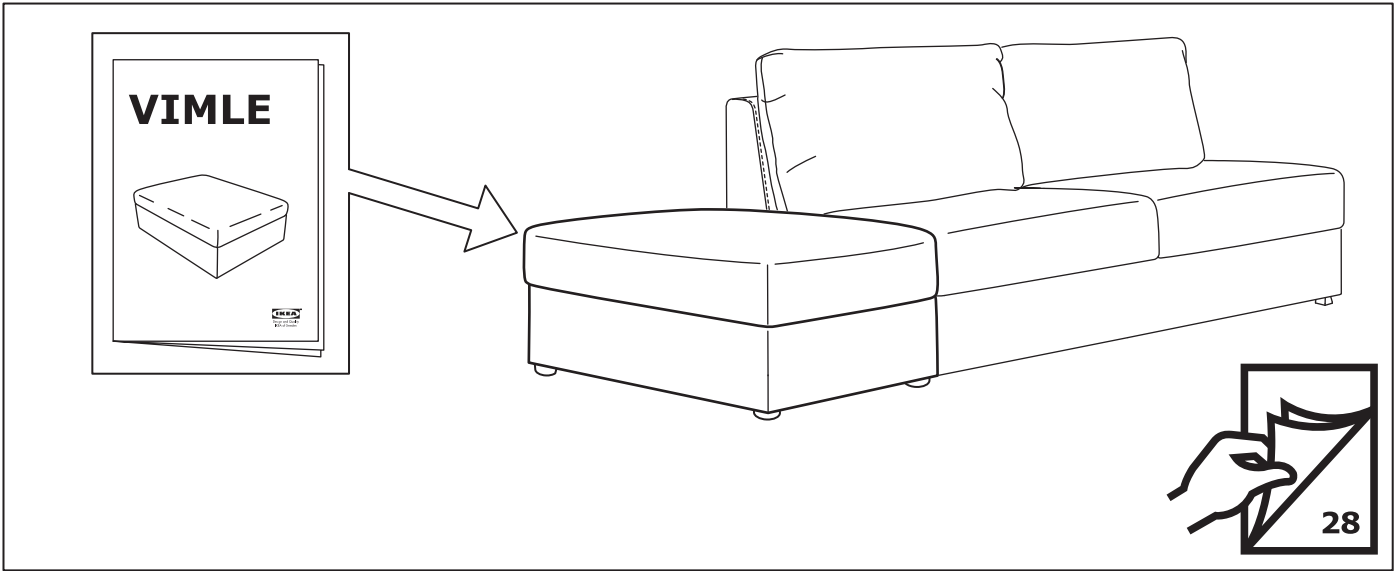




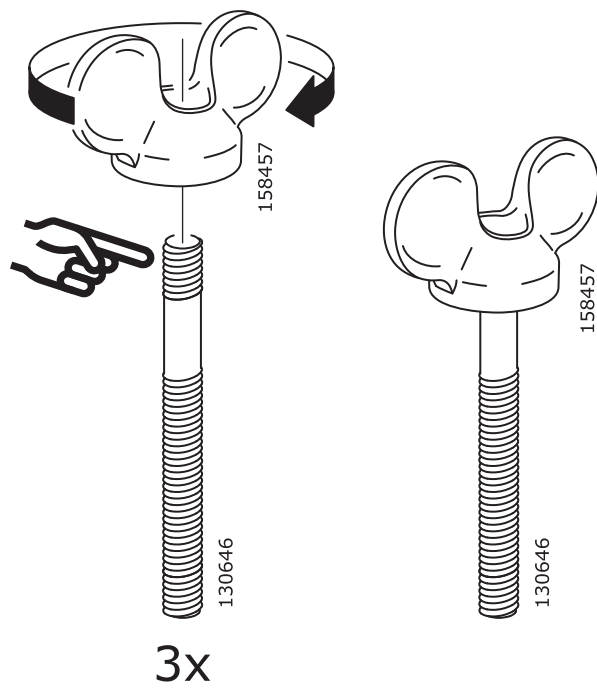
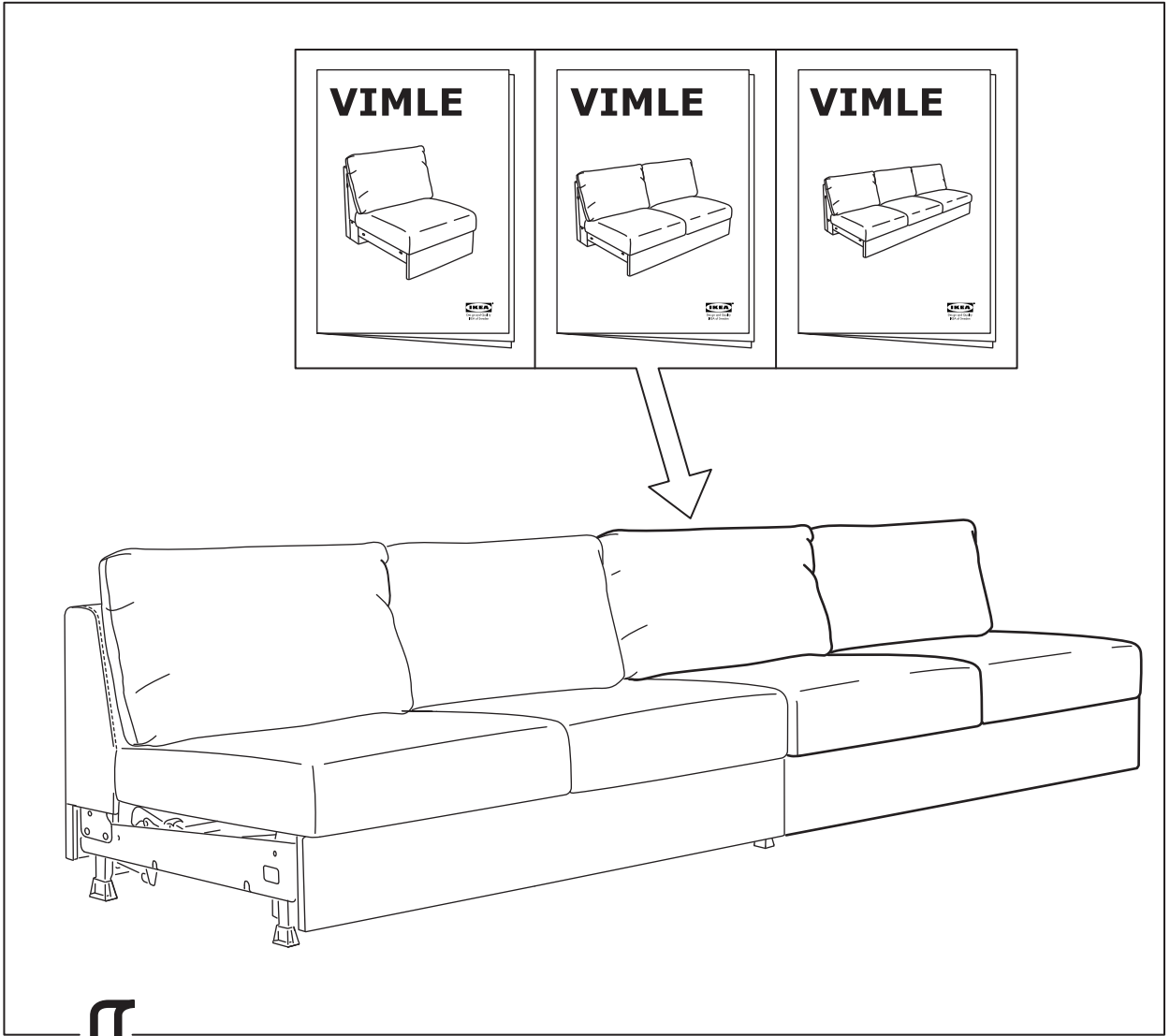
13



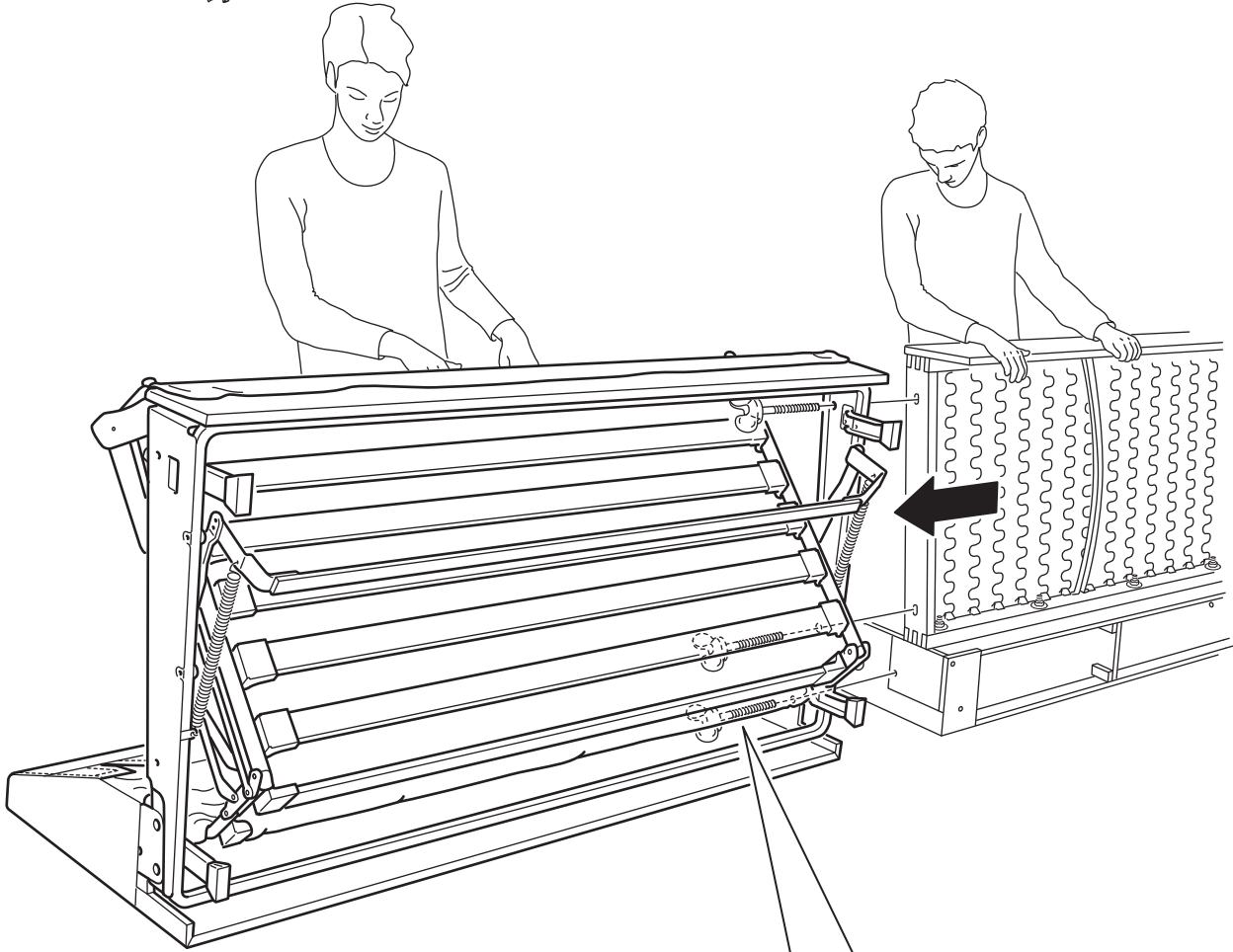
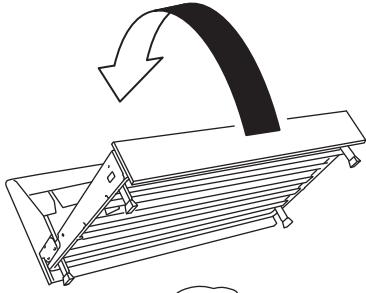




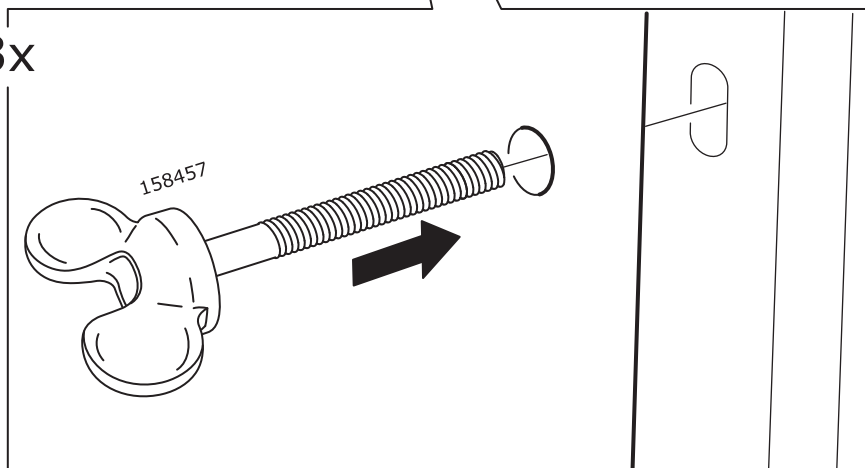
14

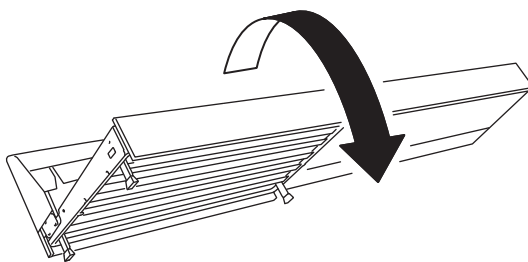
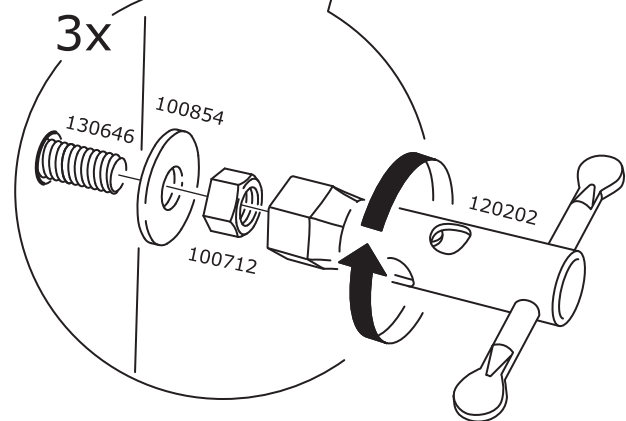
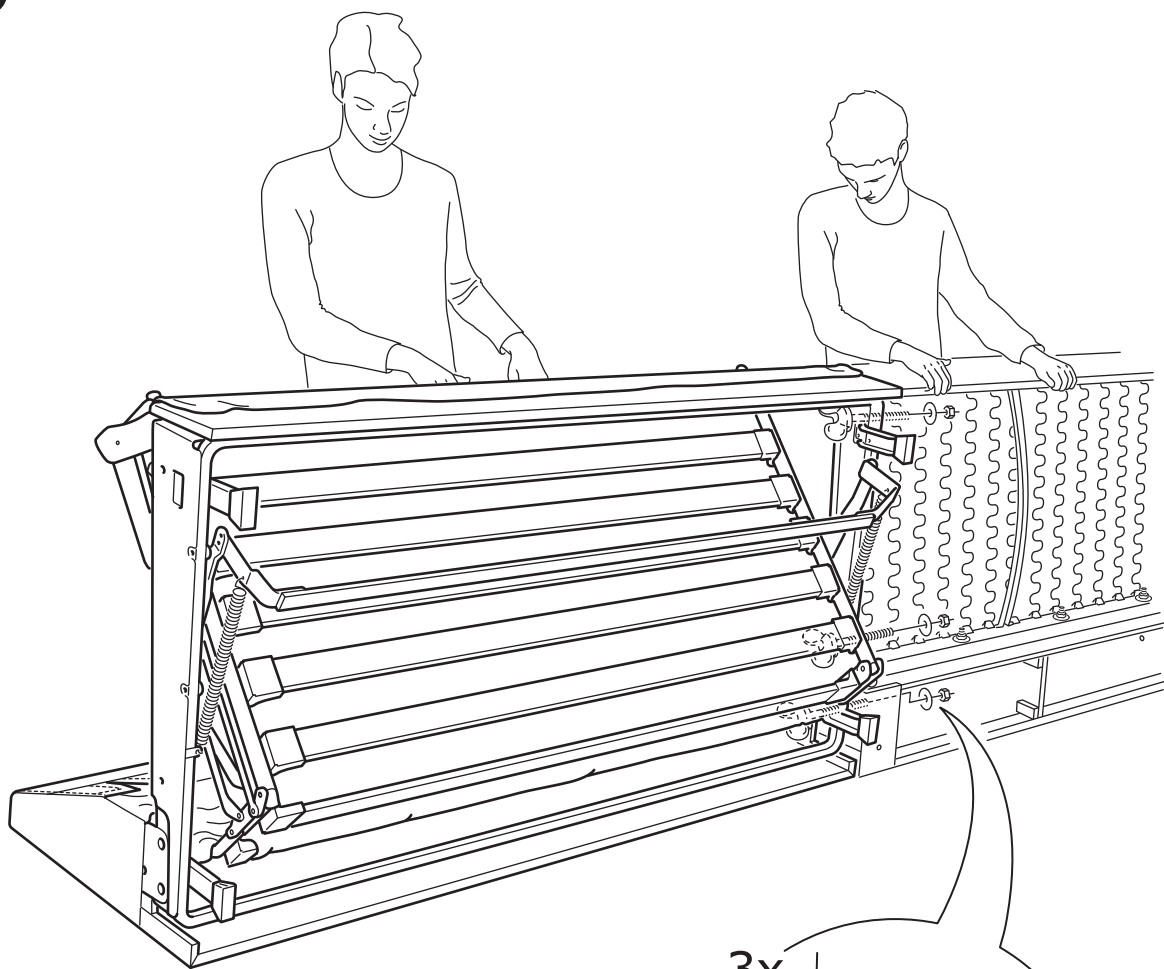


15

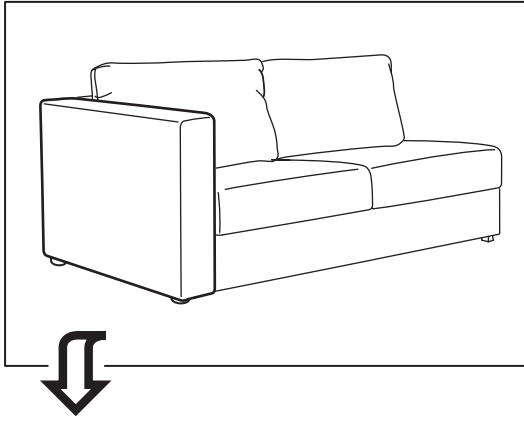


3x

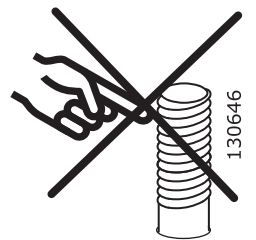
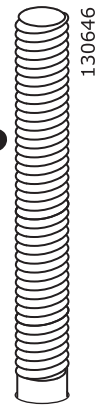
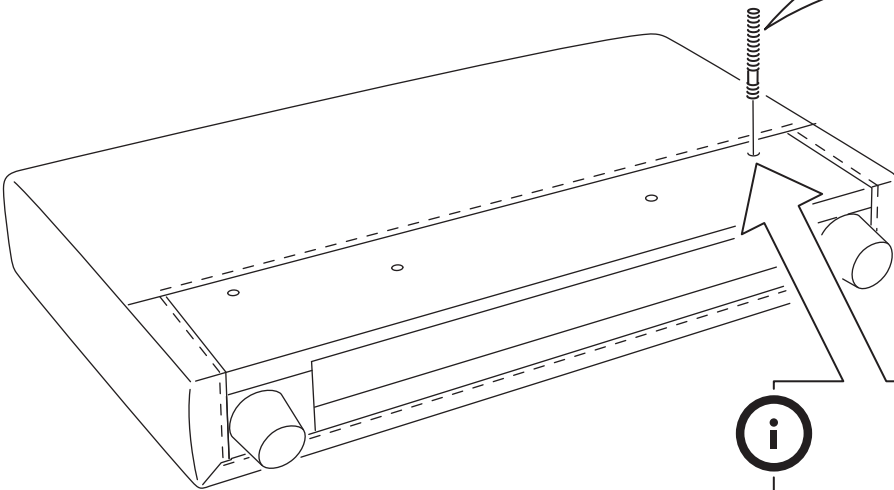
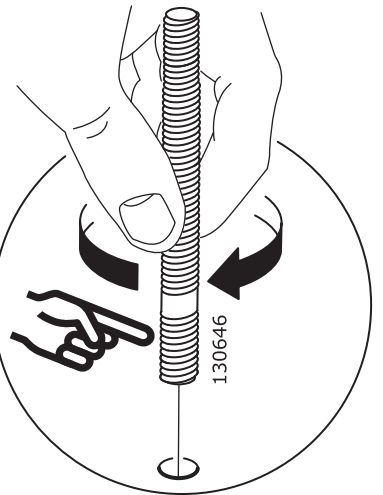
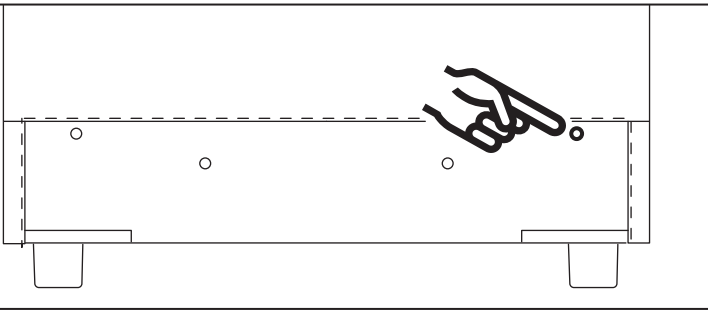
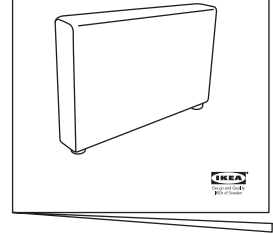


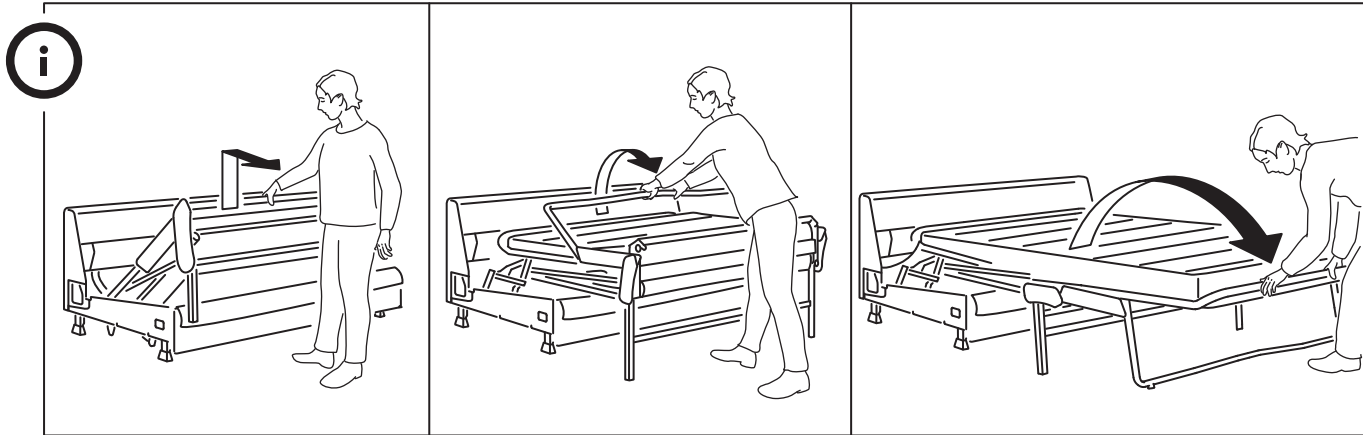


14

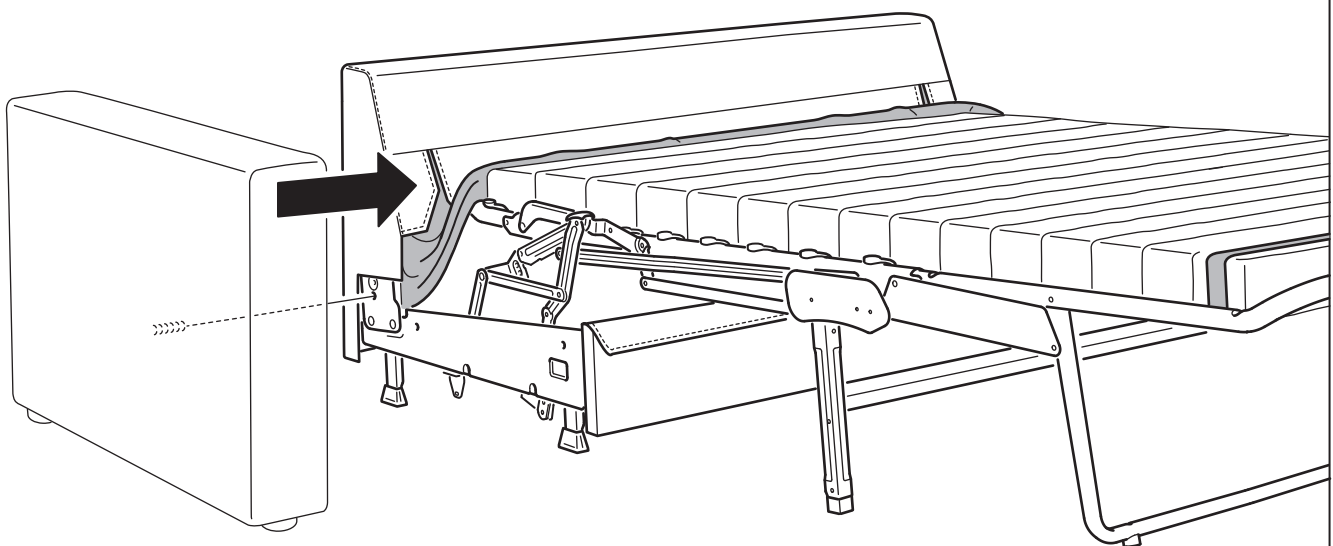


VIMLE

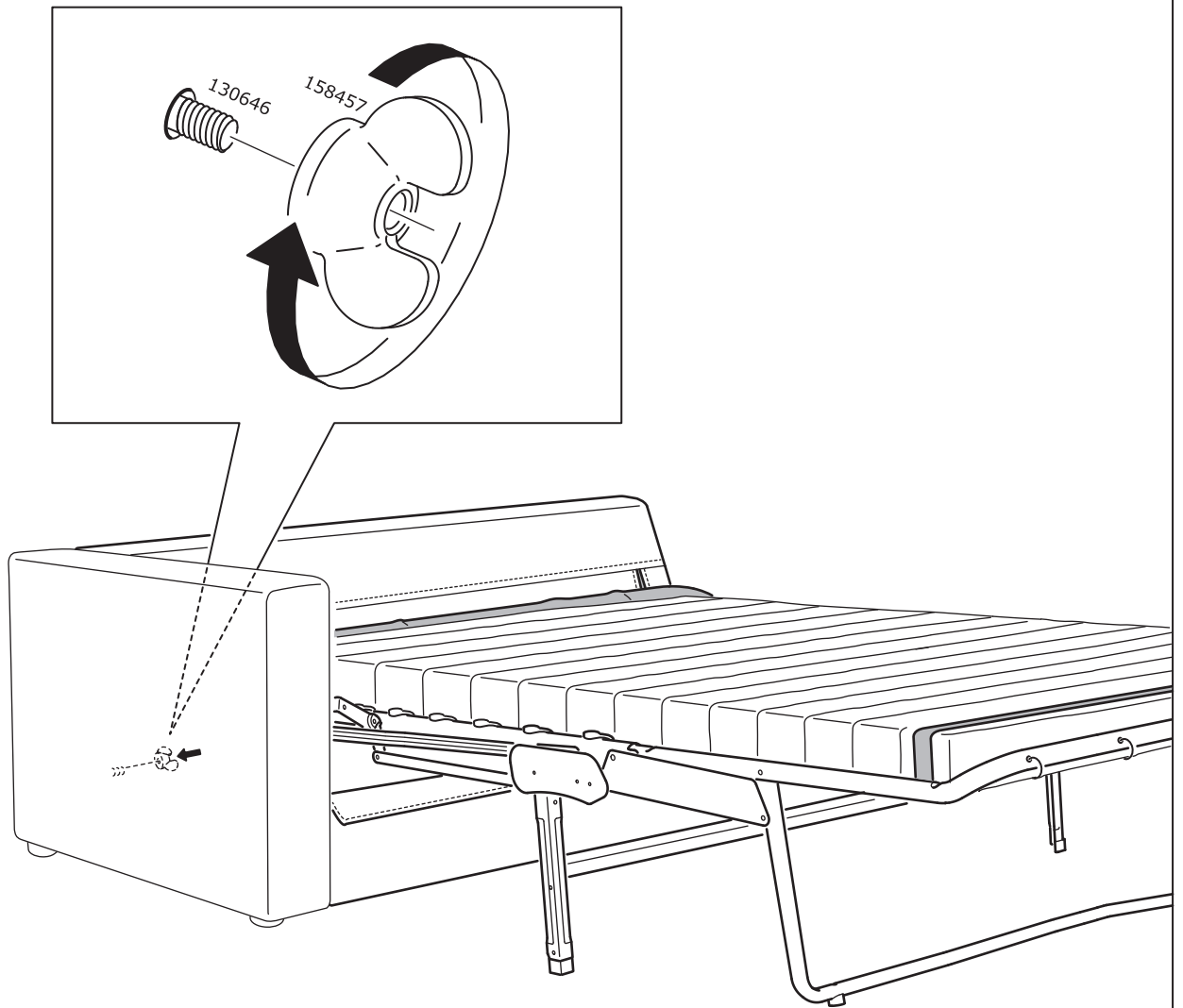


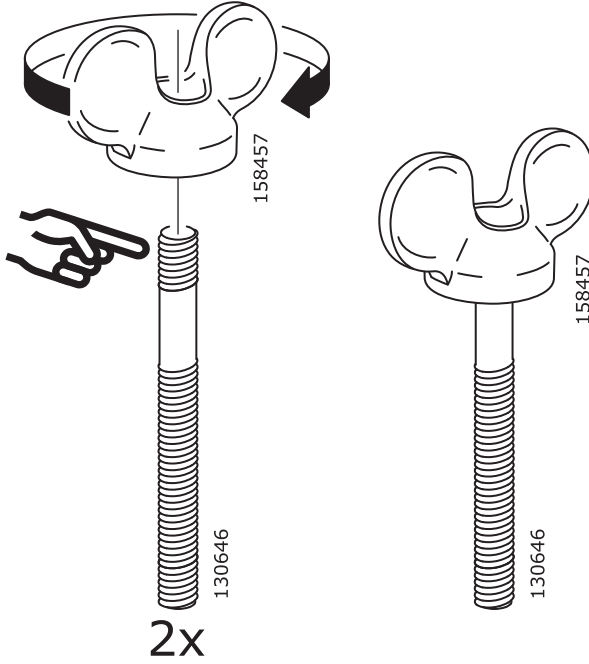


15

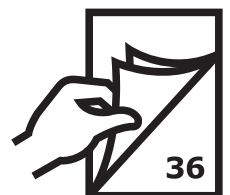
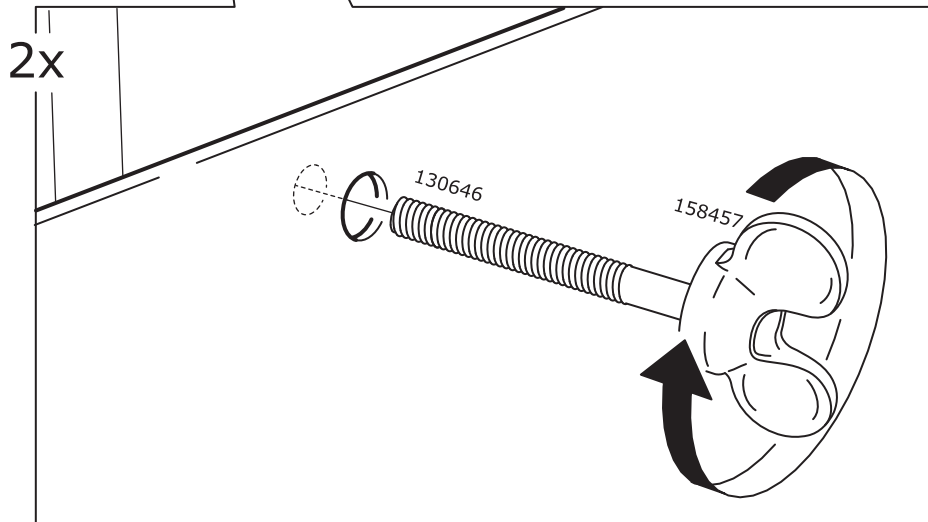
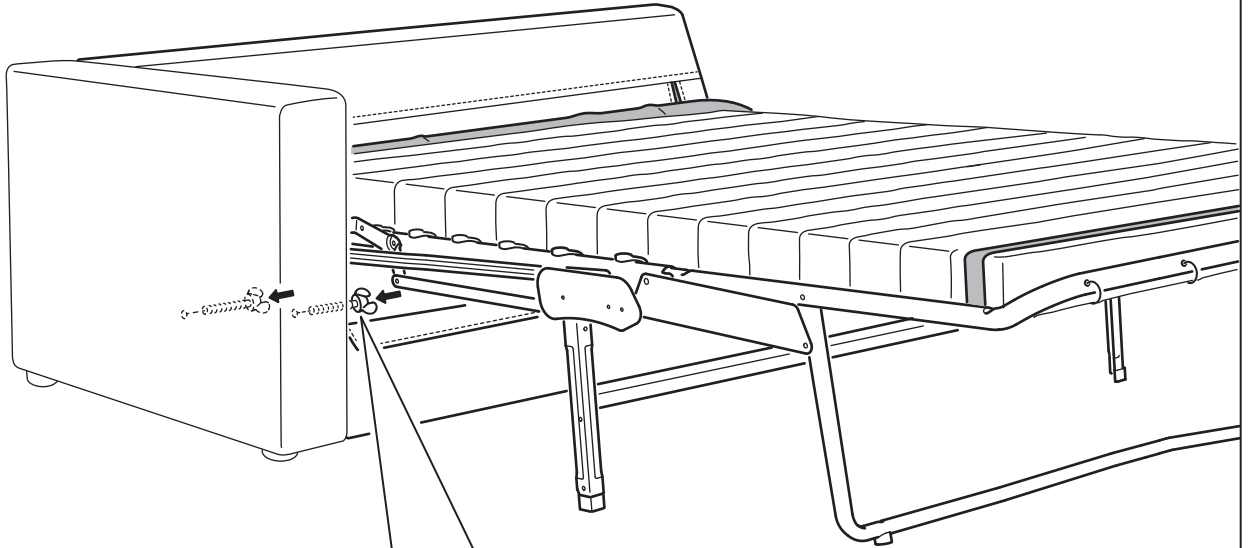


16

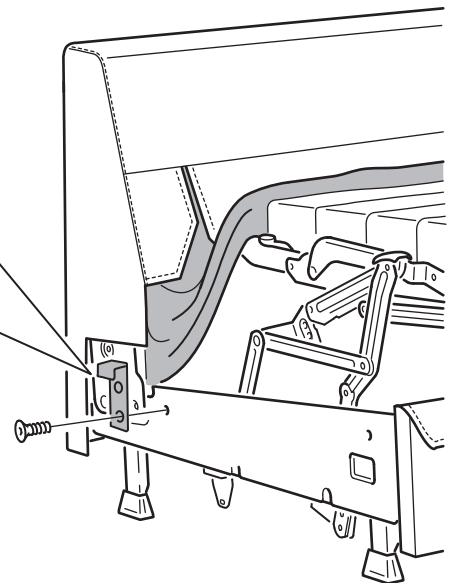
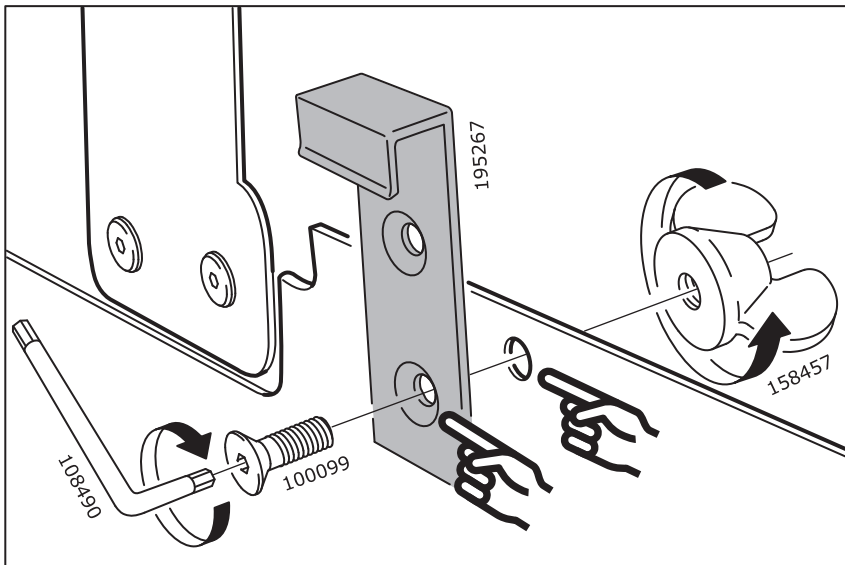
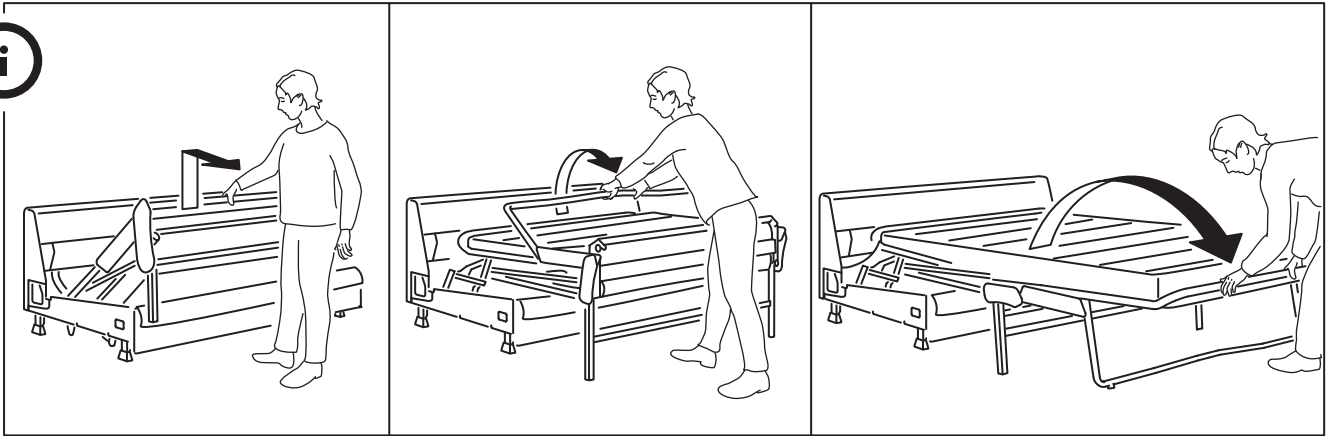
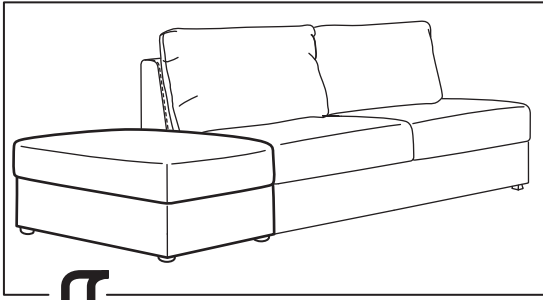


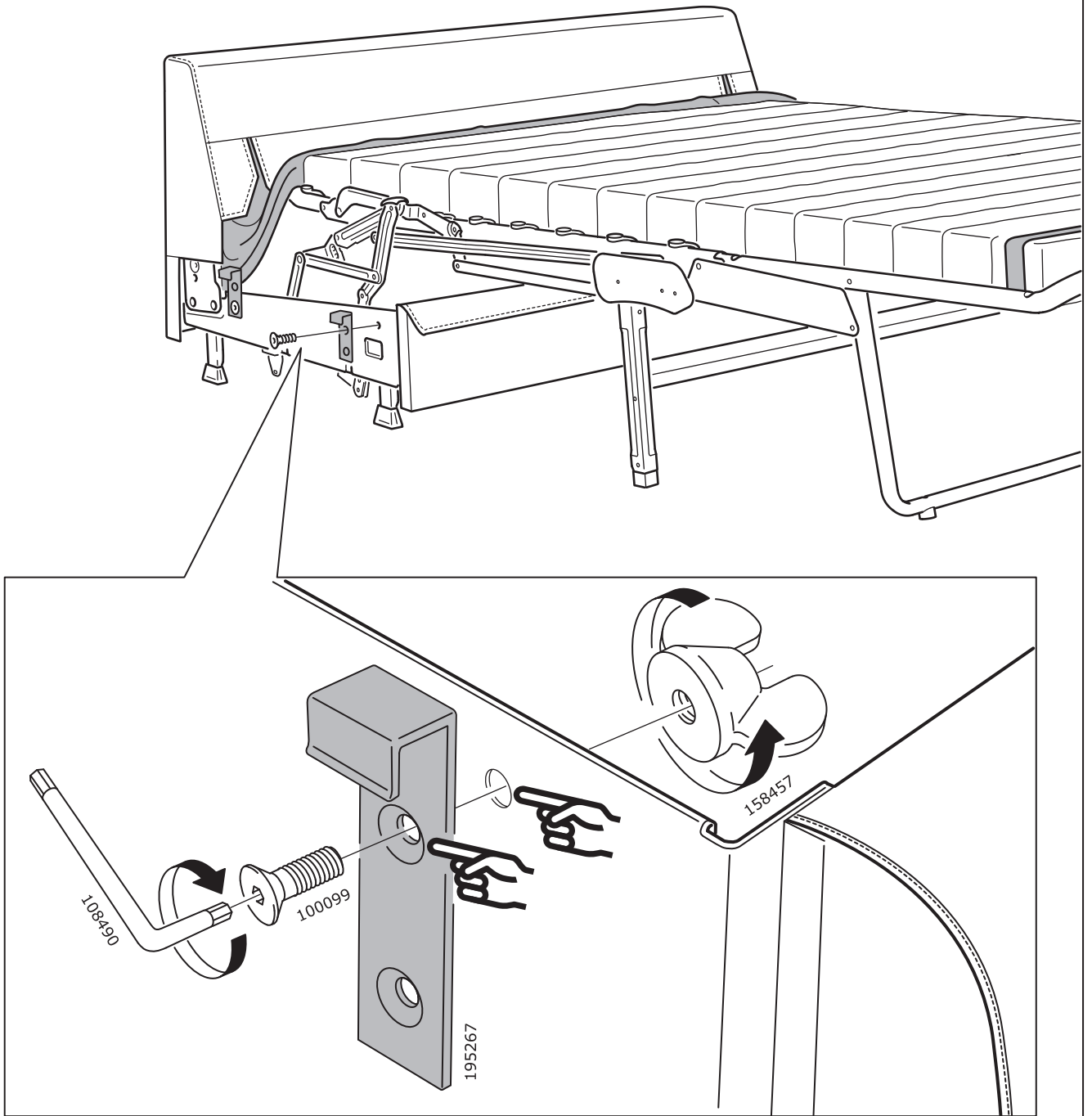


18

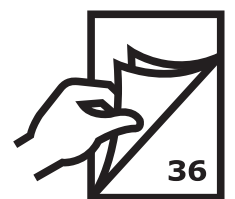
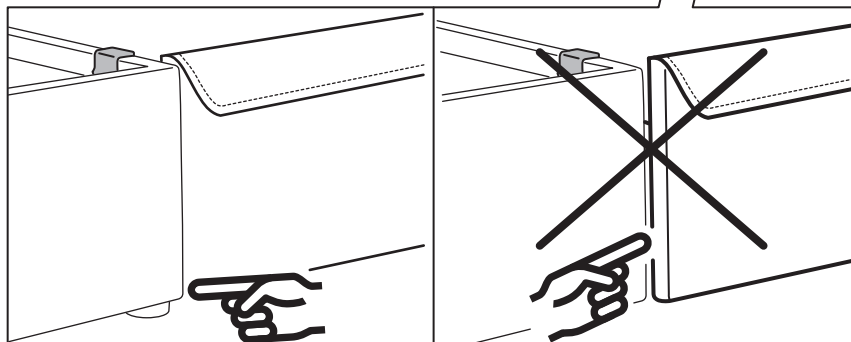
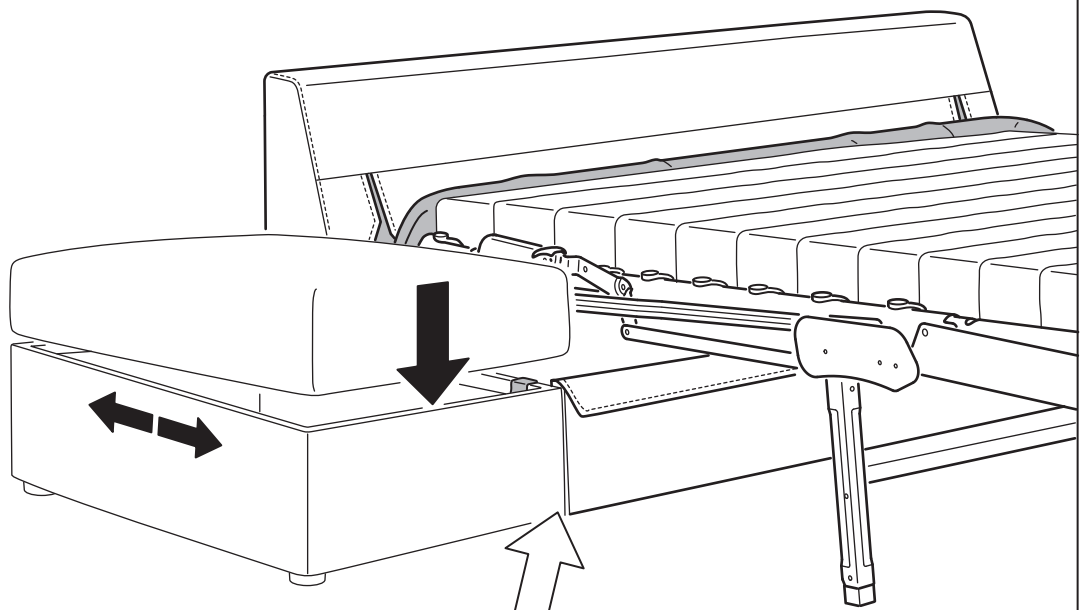
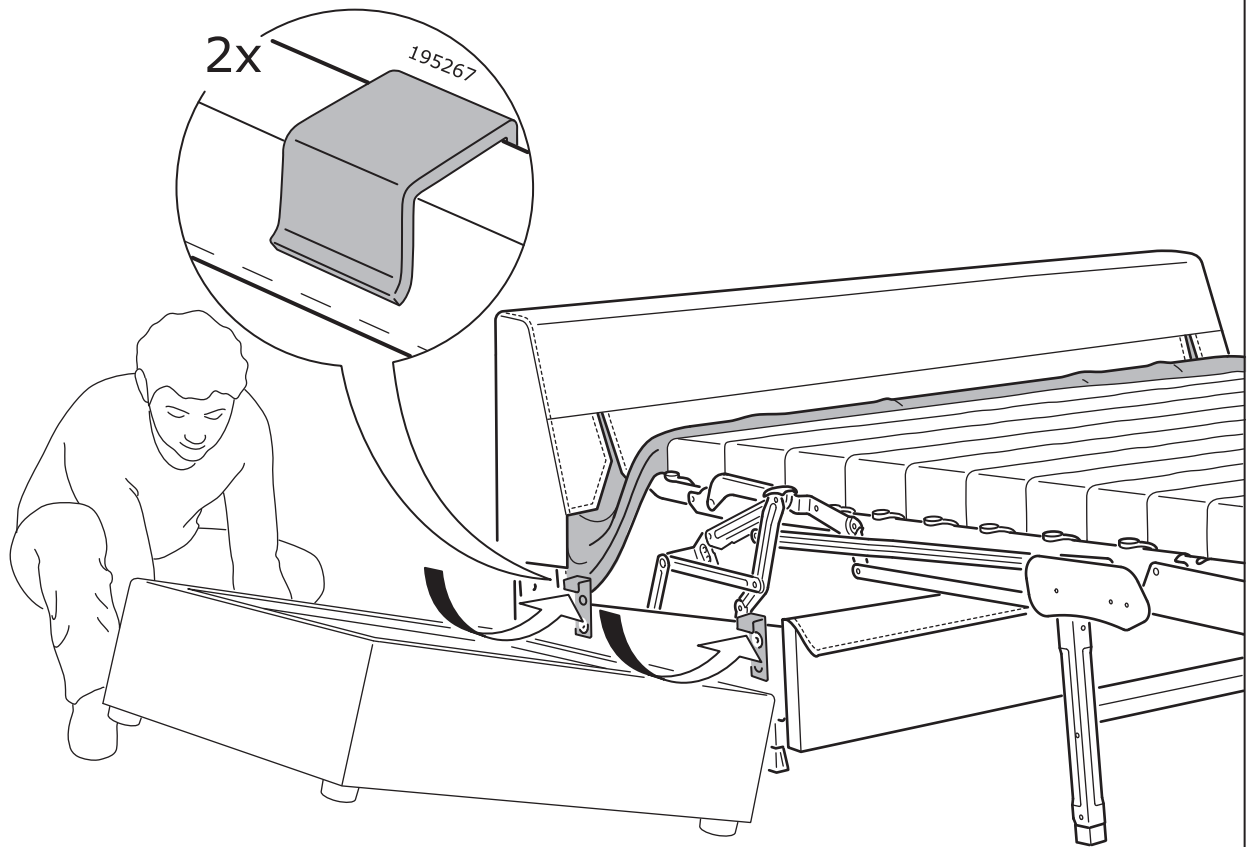


14

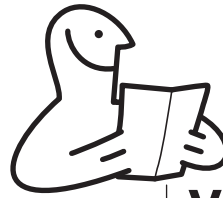
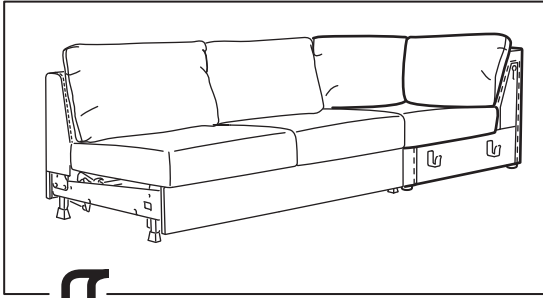




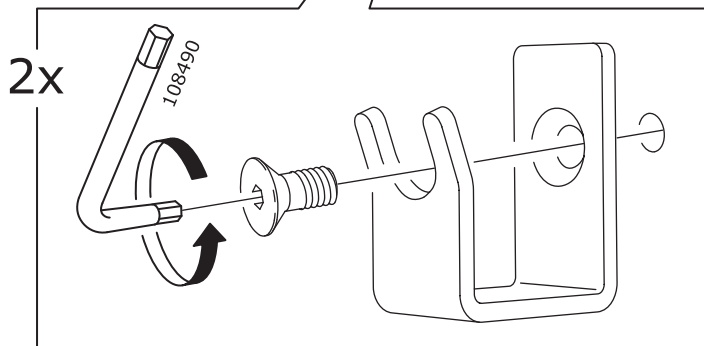
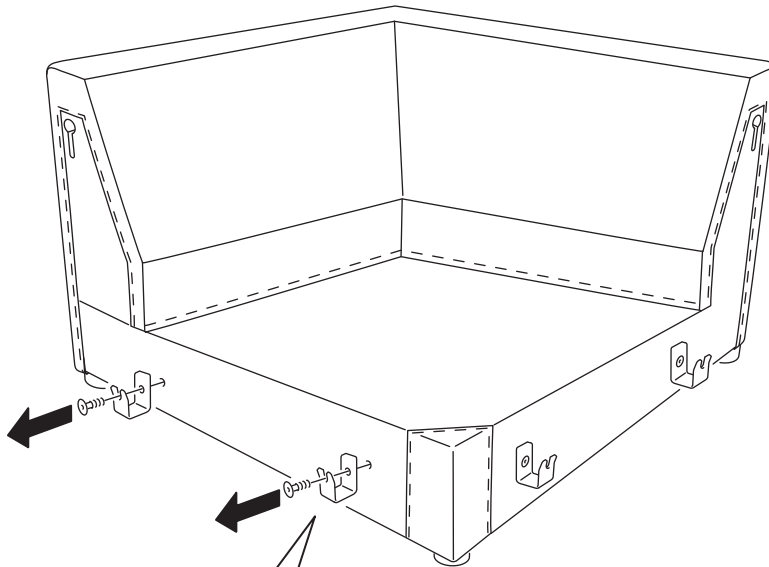
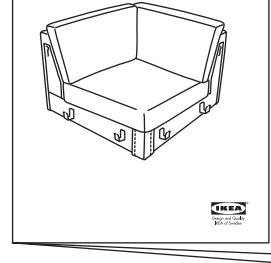
15



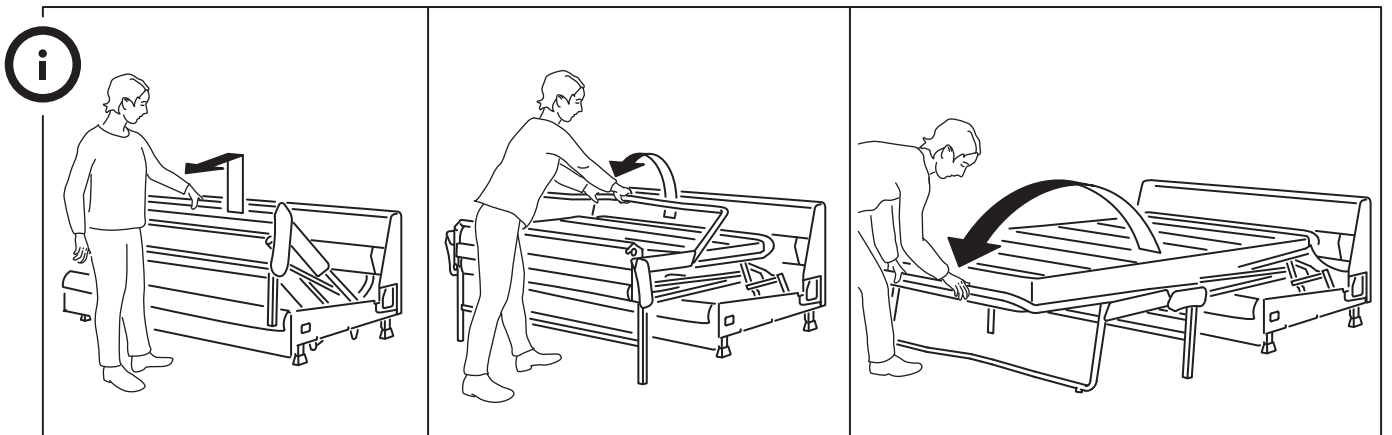
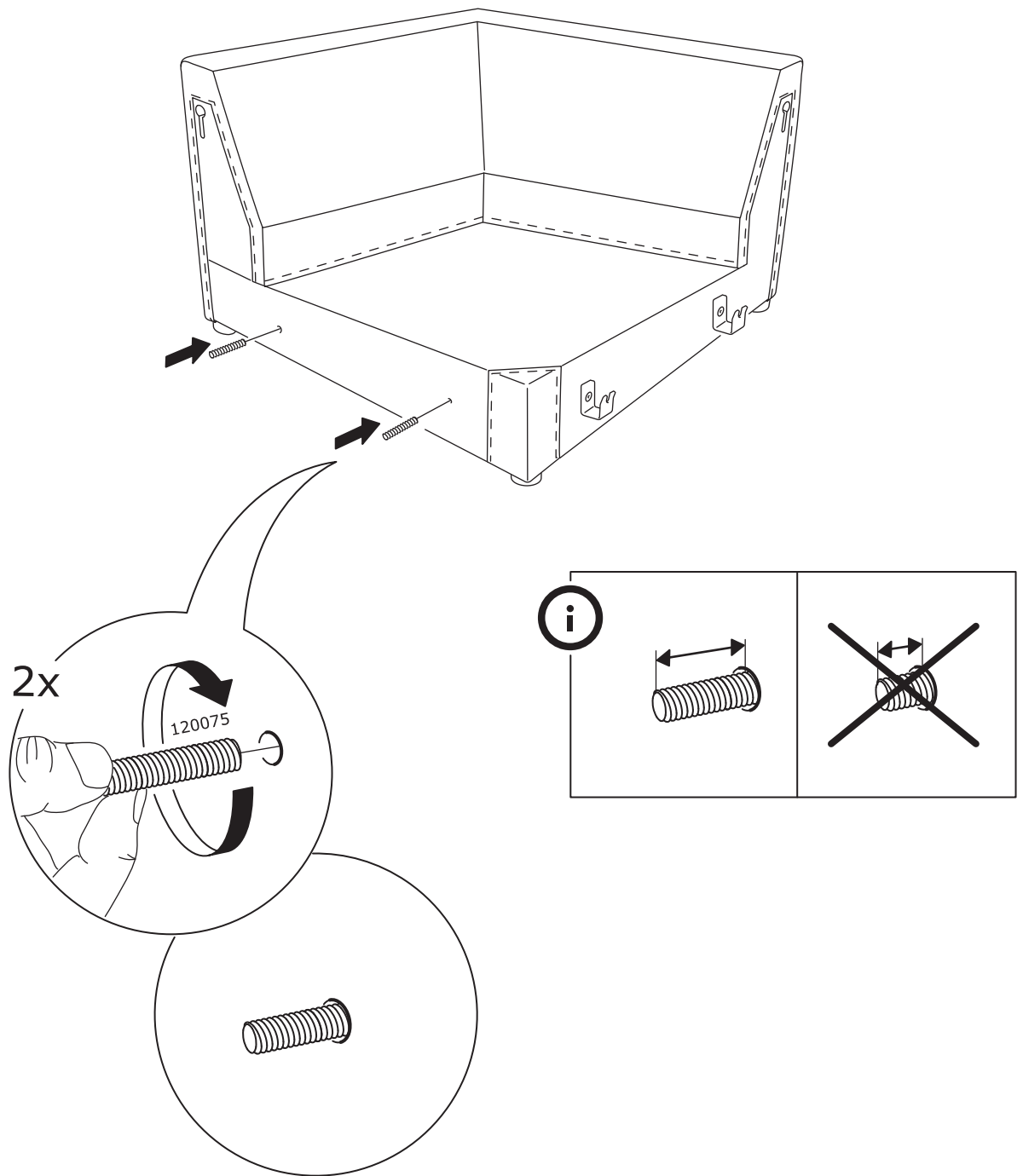
14



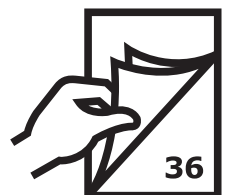
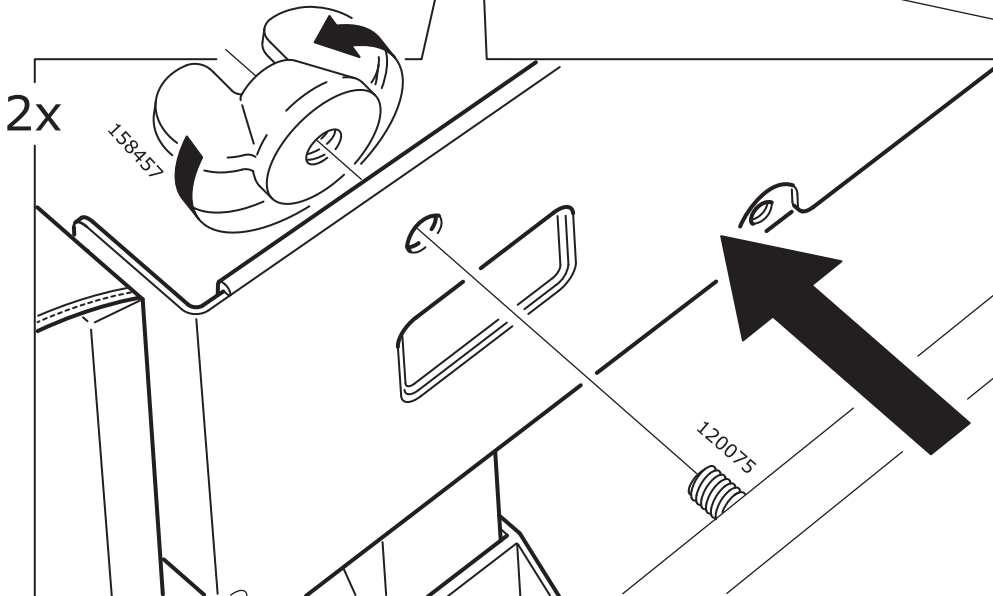
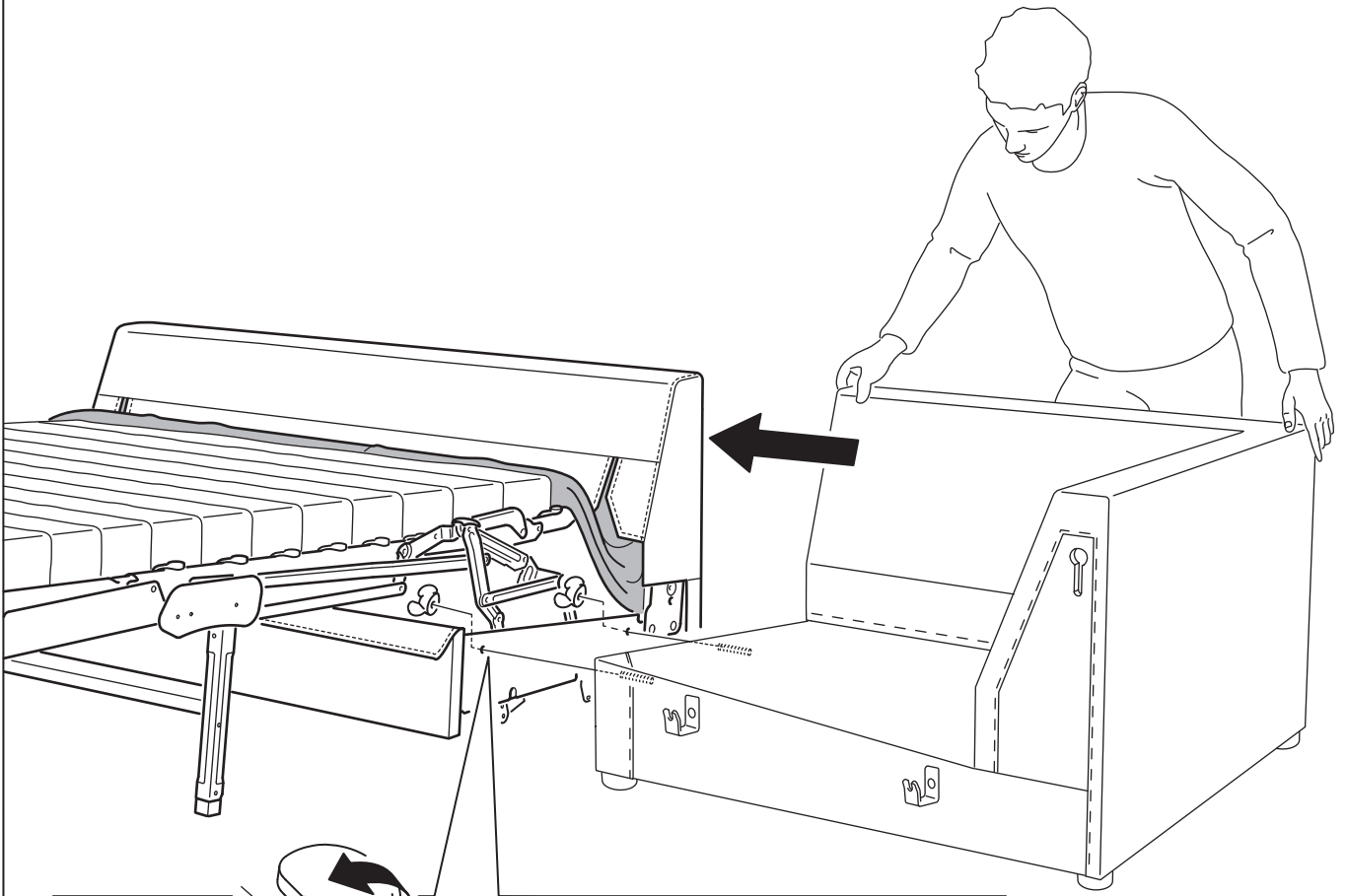
VIMLE



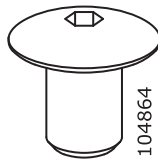
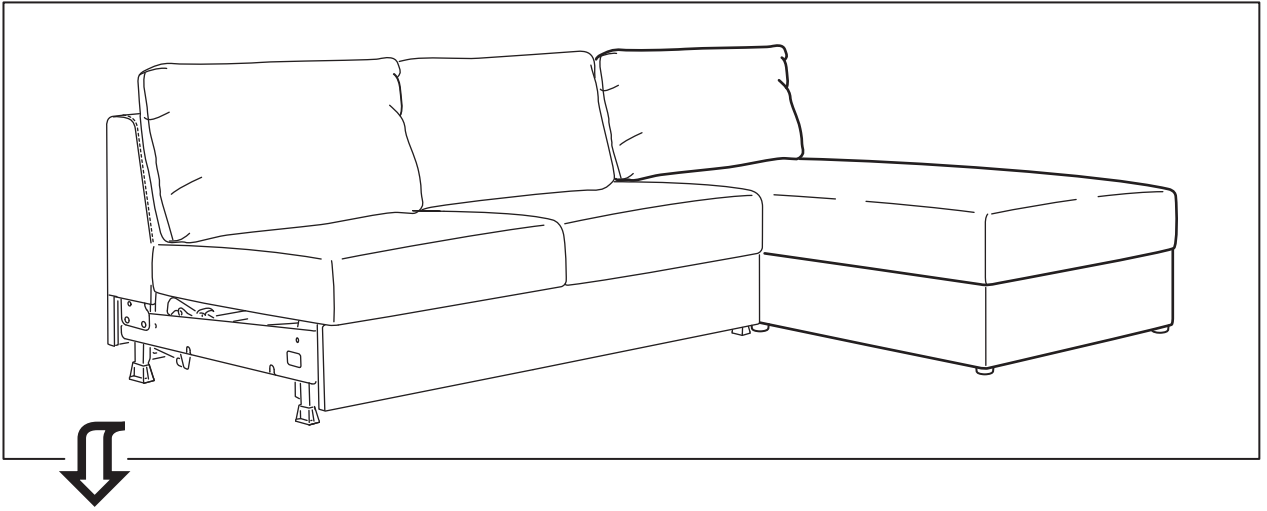
15



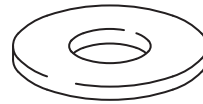
16



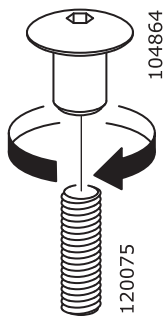
14



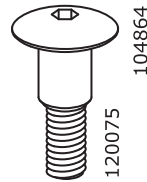
2x

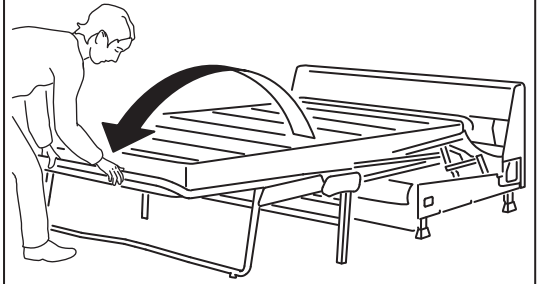
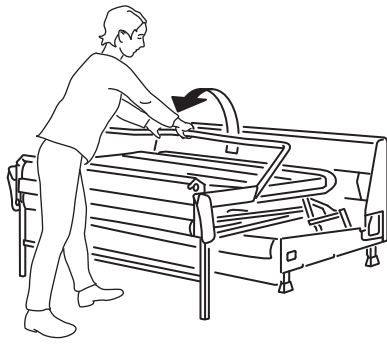
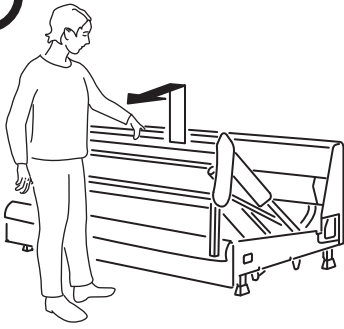


2x

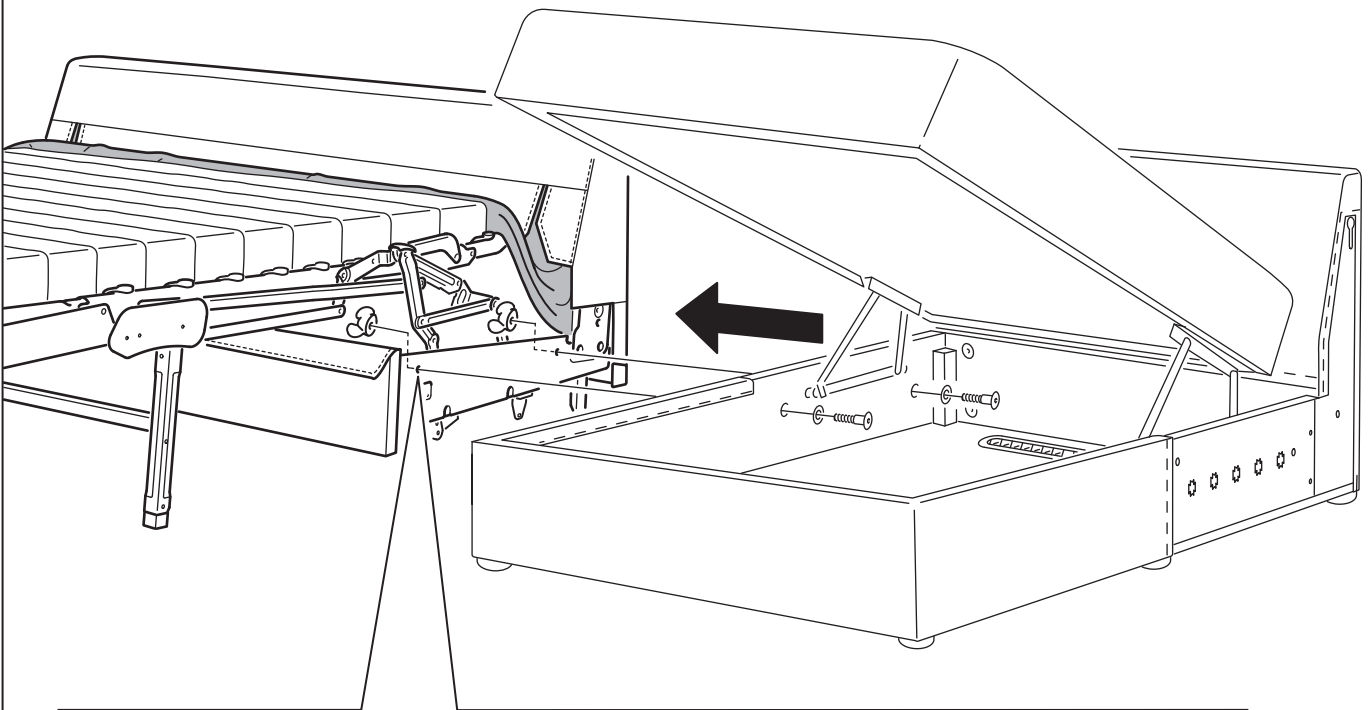


2x





15



2x

