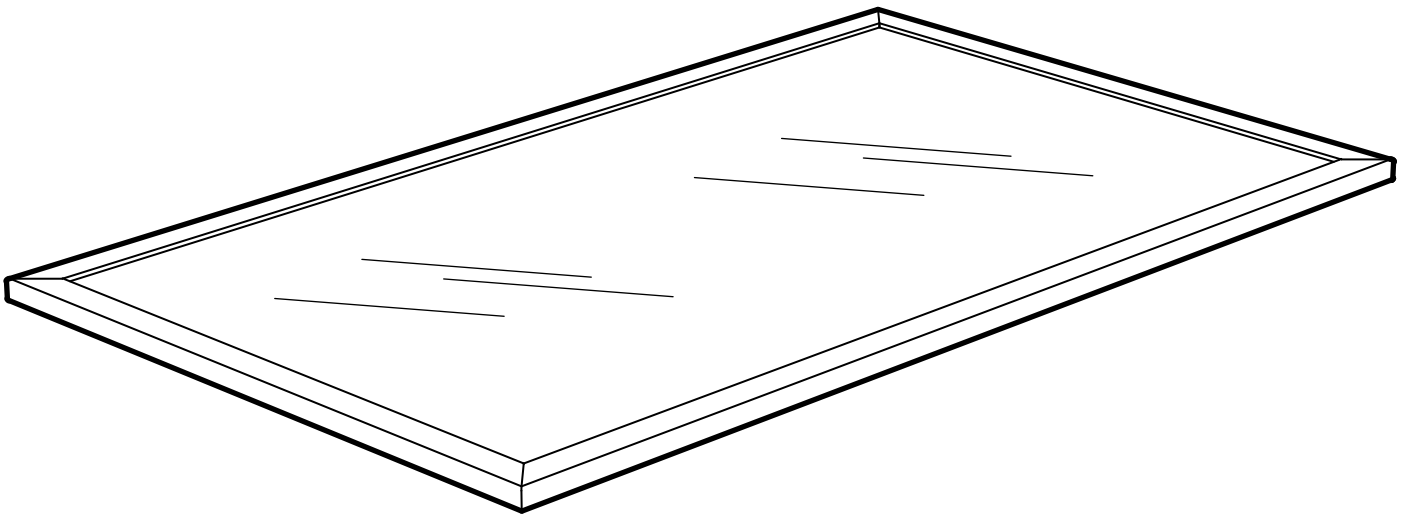
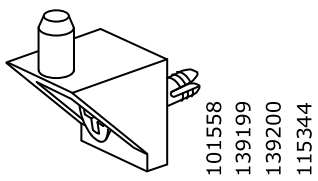
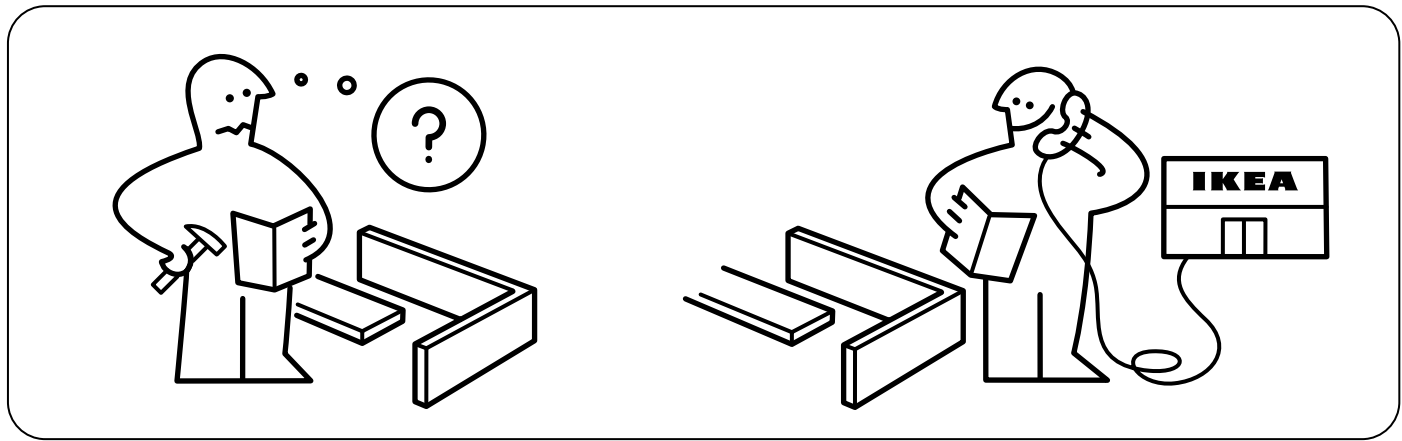
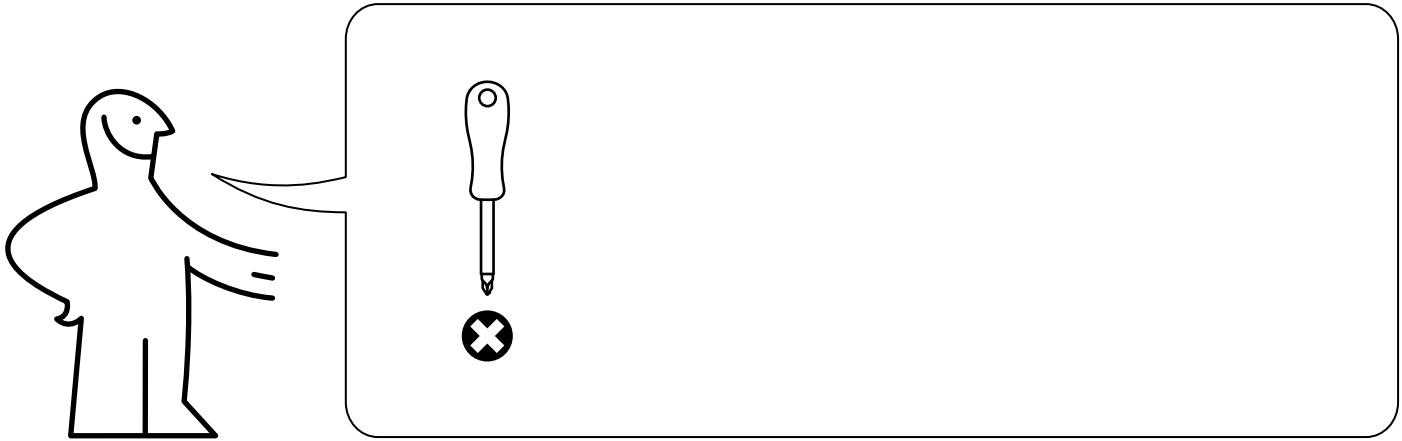


# KOMPLEMENT

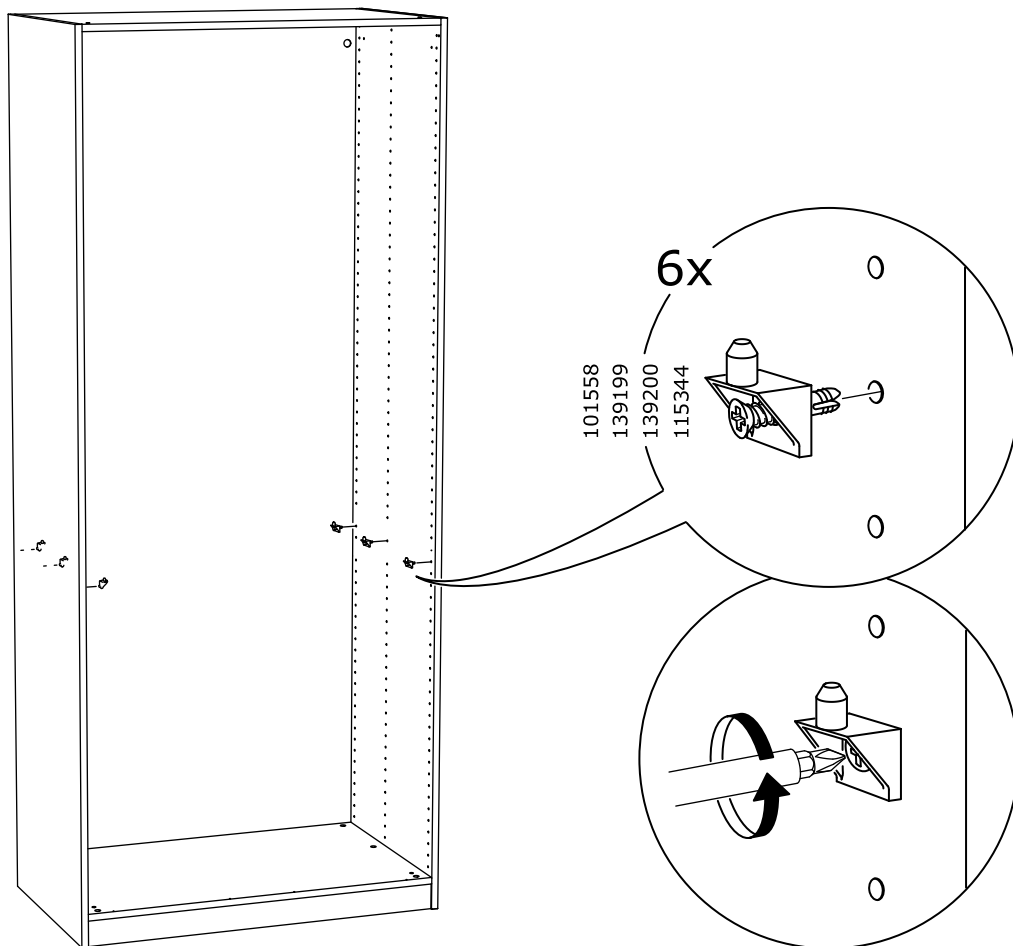


Design and Quality  
IKEA of Sweden



6x

**1**



**2**

